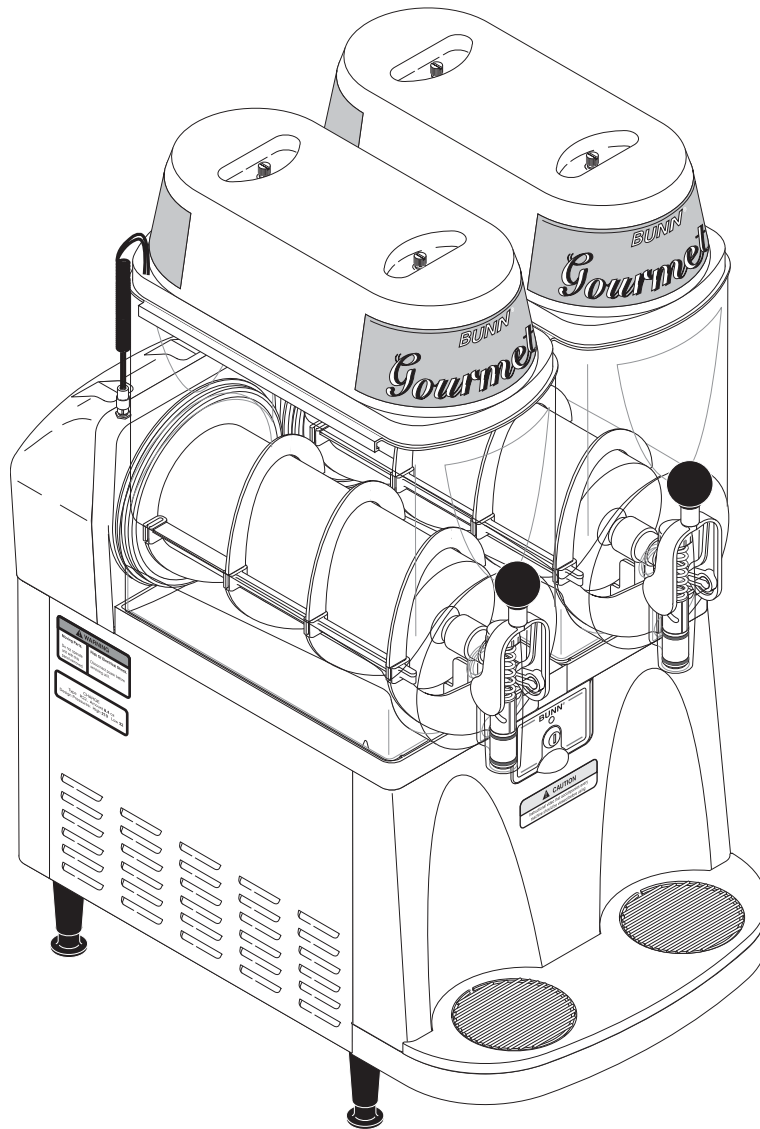


BUNN®

CDS-2



ILLUSTRATED PARTS CATALOG

Designs, materials, weights, specifications, and dimensions for equipment or replacement parts are subject to change without notice.

BUNN-O-MATIC CORPORATION

POST OFFICE BOX 3227

SPRINGFIELD, ILLINOIS 62708-3227

PHONE: (217) 529-6601 FAX: (217) 529-6644

BUNN-O-MATIC COMMERCIAL PRODUCT WARRANTY

Bunn-O-Matic Corp. ("BUNN") warrants equipment manufactured by it as follows:

- 1) All equipment other than as specified below: 2 years parts and 1 year labor.
- 2) Electronic circuit and/or control boards: parts and labor for 3 years.
- 3) Compressors on refrigeration equipment: 5 years parts and 1 year labor.
- 4) Grinding burrs on coffee grinding equipment to grind coffee to meet original factory screen sieve analysis: parts and labor for 3 years or 30,000 pounds of coffee, whichever comes first.

These warranty periods run from the date of installation BUNN warrants that the equipment manufactured by it will be commercially free of defects in material and workmanship existing at the time of manufacture and appearing within the applicable warranty period. This warranty does not apply to any equipment, component or part that was not manufactured by BUNN or that, in BUNN's judgment, has been affected by misuse, neglect, alteration, improper installation or operation, improper maintenance or repair, damage or casualty. This warranty is conditioned on the Buyer 1) giving BUNN prompt notice of any claim to be made under this warranty by telephone at (217) 529-6601 or by writing to Post Office Box 3227, Springfield, Illinois 62708-3227; 2) if requested by BUNN, shipping the defective equipment prepaid to an authorized BUNN service location; and 3) receiving prior authorization from BUNN that the defective equipment is under warranty.

THE FOREGOING WARRANTY IS EXCLUSIVE AND IS IN LIEU OF ANY OTHER WARRANTY, WRITTEN OR ORAL, EXPRESS OR IMPLIED, INCLUDING, BUT NOT LIMITED TO, ANY IMPLIED WARRANTY OF EITHER MERCHANTABILITY OR FITNESS FOR A PARTICULAR PURPOSE. The agents, dealers or employees of BUNN are not authorized to make modifications to this warranty or to make additional warranties that are binding on BUNN. Accordingly, statements by such individuals, whether oral or written, do not constitute warranties and should not be relied upon.

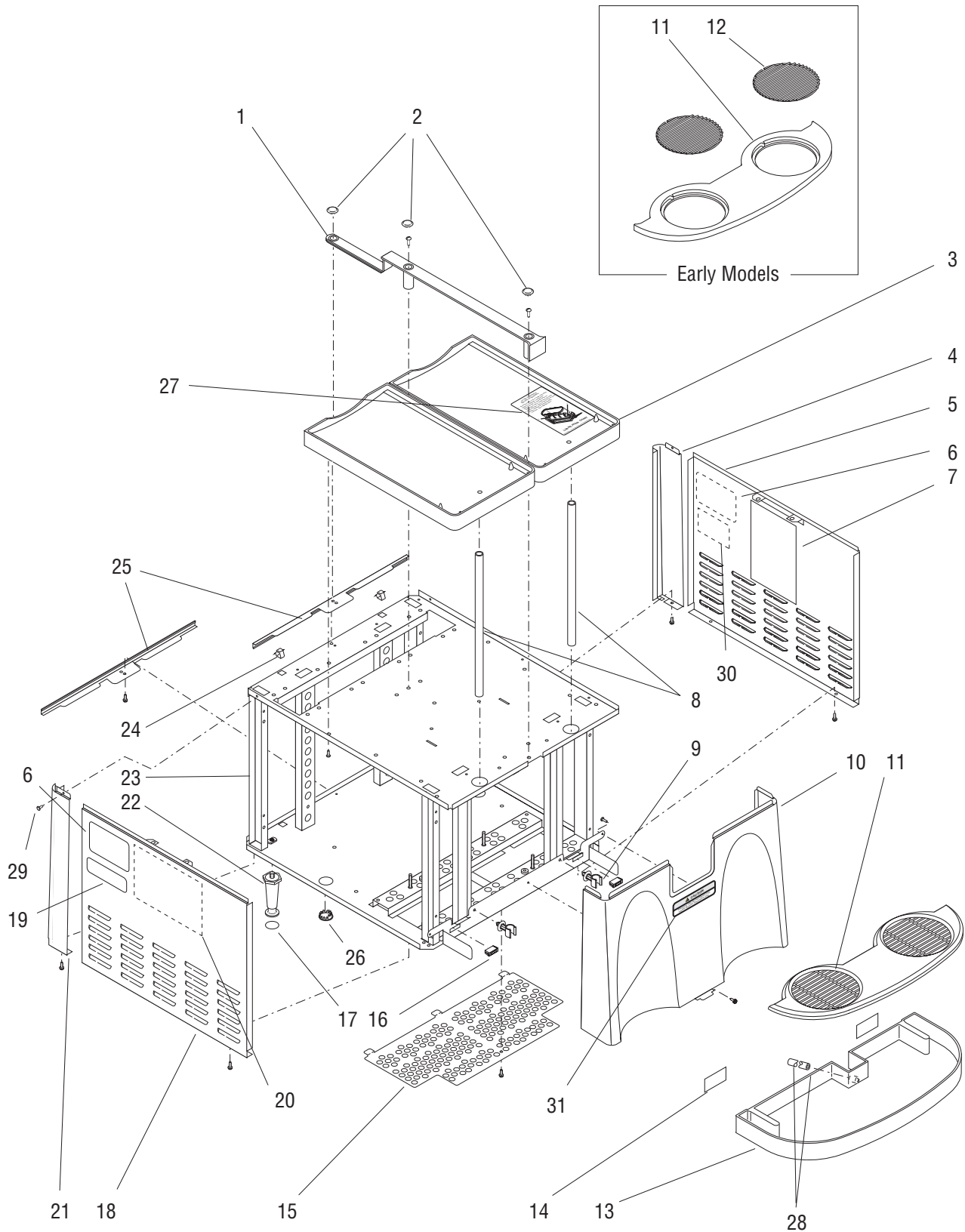
If BUNN determines in its sole discretion that the equipment does not conform to the warranty, BUNN, at its exclusive option while the equipment is under warranty, shall either 1) provide at no charge replacement parts and/or labor (during the applicable parts and labor warranty periods specified above) to repair the defective components, provided that this repair is done by a BUNN Authorized Service Representative; or 2) shall replace the equipment or refund the purchase price for the equipment.

THE BUYER'S REMEDY AGAINST BUNN FOR THE BREACH OF ANY OBLIGATION ARISING OUT OF THE SALE OF THIS EQUIPMENT, WHETHER DERIVED FROM WARRANTY OR OTHERWISE, SHALL BE LIMITED, AT BUNN'S SOLE OPTION AS SPECIFIED HEREIN, TO REPAIR, REPLACEMENT OR REFUND.

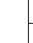
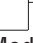


In no event shall BUNN be liable for any other damage or loss, including, but not limited to, lost profits, lost sales, loss of use of equipment, claims of Buyer's customers, cost of capital, cost of down time, cost of substitute equipment, facilities or services, or any other special, incidental or consequential damages.

TABLE OF CONTENTS

Auger Drive and Cooling Drum	12
Auger Drive and Cooling Drum (w/PAF)	16
Compressor and Mounting	22
Condenser and Fan Mounting	20
Electrical and Operating Controls	26
Electrical and Operating Controls (w/PAF)	30
Frame, Panels, Drip Trays and Legs	4
Hopper and Top Cover	8
PAF Hopper and Faucet	10
Instructional Video	7
Numerical Index	22
Solenoid and Coolant Piping	24

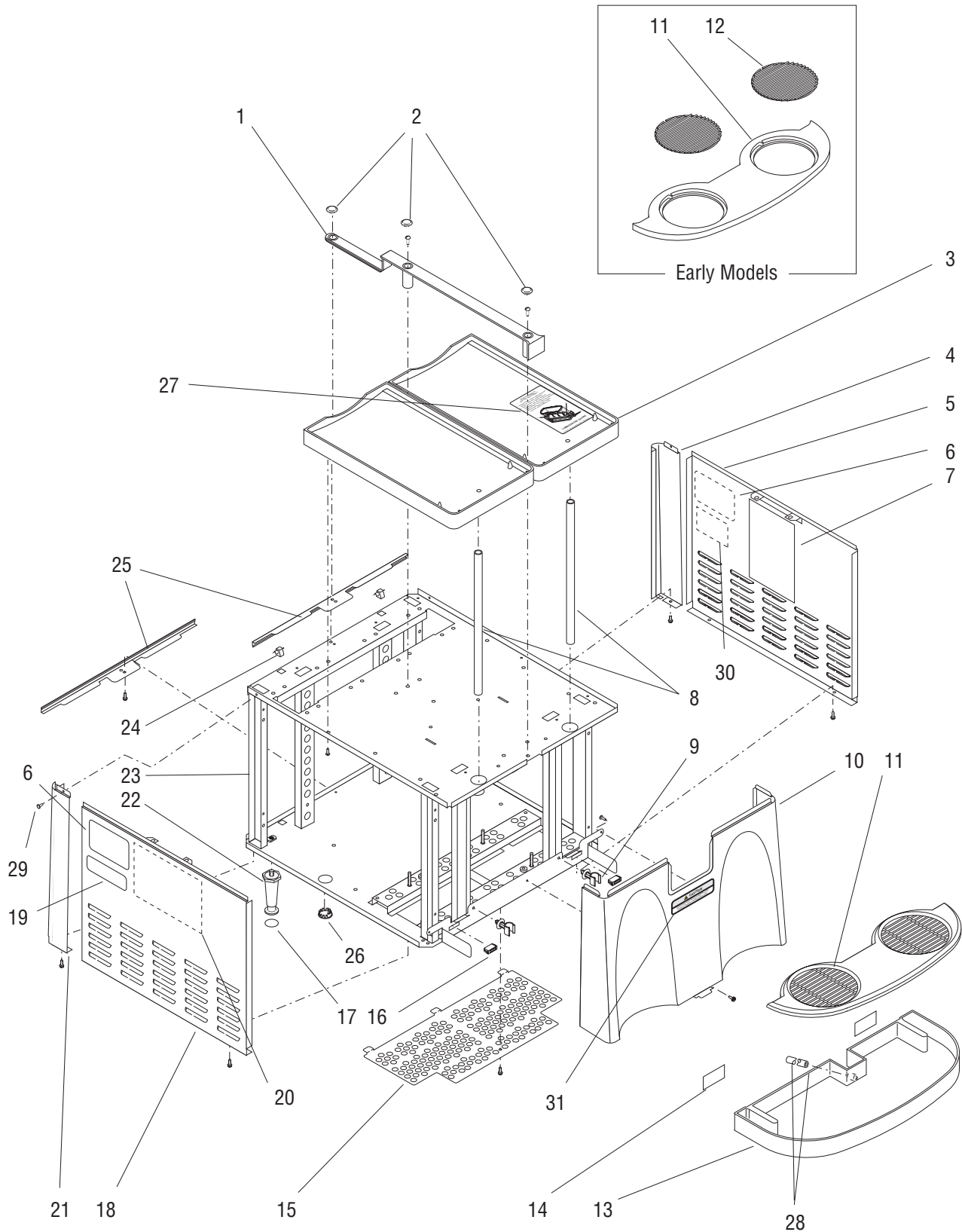


FRAME, PANELS, DRIP TRAYS AND LEGS

ITEM	PART NO.	QTY.	DESCRIPTION
1	27136.0002	1	Trim, Hopper/Drip Tray - WHI
	27136.0003	1	Trim, Hopper/Drip Tray - BLK
	02329.0000	2	Screw, Round Head - Locking #8-32 x .312"
2	27394.0000	3	Plug, Plastic - WHI
	27394.0001	3	Plug, Nylon - BLK
3	28078.0000	2	Drip Tray, Hopper - WHI (Includes item 27)
	28078.0001	2	Drip Tray, Hopper - BLK (Includes item 27)
	01317.0003	8	Screw, Truss Head - Locking #8-32 x .375"
4	27058.0000	1	Corner, Right Rear - SST
	27058.0002	1	Corner, Right Rear - BLK
	02332.0001	1	Screw, Hex Head Crimptite #6 x .25" (Early models)
	32580.0000	1	Screw, Hex Head #6-32 x .25" (Late models)
5	27558.0000	1	Panel W/Decals, Right Side - SST (Includes items 6, 7 & 30) (CDS-2)
	27660.1001	1	Panel W/Decals, Right Side - SST (Includes items 6 & 30) (CDSA-2)
	27558.0002	1	Panel W/Decals, Right Side - BLK (Includes items 6, 7 & 30) (CDS-2)
	02332.0001	2	Screw, Hex Head Crimptite #6 x .25" (Early models)
	32580.0000	2	Screw, Hex Head #6-32 x .25" (Late models)
6	27442.0000	2	Decal, Warning - Moving Parts
7	27556.0000	1	Schematic, Electrical 120V (CDS-2)
	27556.0002	1	Schematic, Electrical 120V (CDS-2 w/PAF)
8	-----	2	Tube, Drain .375" I.D. x .50" O.D. x 10.88" (Order item 33)
9	27410.0000	2	Clip, Tube
10	26967.1000	1	Panel, Front - SST
	26967.1002	1	Panel, Front - BLK
	02332.0001	1	Screw, Hex Head Crimptite #6 x .25"
	01317.0003	2	Screw, Truss Head - Locking #8-32 x .375"
11	26955.0000	1	Cover, Lower Drip Tray  Early Models
	26955.0001	1	Cover, Lower Drip Tray - BLK  Early Models
	32068.0000	1	Cover, Lower Drip Tray (Late Models)
12	26958.0000	2	Grate, Drip Tray  Early Models
	26958.0001	2	Grate, Drip Tray - BLK  Early Models
13	28086.0000	1	Drip Tray, Lower (Includes item 14)
	28086.0001	1	Drip Tray, Lower - BLK (Includes item 14)
14	21437.1000	2	Strike Assy, Self Adhesive
15	27132.0000	1	Cover, Bottom Vent
	02332.0001	1	Screw, Hex Head Crimptite #6 x .25"
16	21436.0000	2	Catch, Magnetic
17	03996.0000	4	Pad, Rubber .125" Dia (See item 32)
18	27558.0001	1	Panel W/Decals, Left Side - SST (Includes items 6, 19 & 20) (CDS-2)
	27660.1002	1	Panel W/Decals, Left Side - SST (Includes items 6, 19 & 20) (CDSA-2)
	27558.0003	1	Panel W/Decals, Left Side - BLK (Includes items 6, 19 & 20) (CDS-2)
	02332.0001	2	Screw, Hex Head Crimptite #6-32 x .25" (Early models)
	32580.0000	2	Screw, Hex Head #6-32 x .25" (Late models)

(Continued)

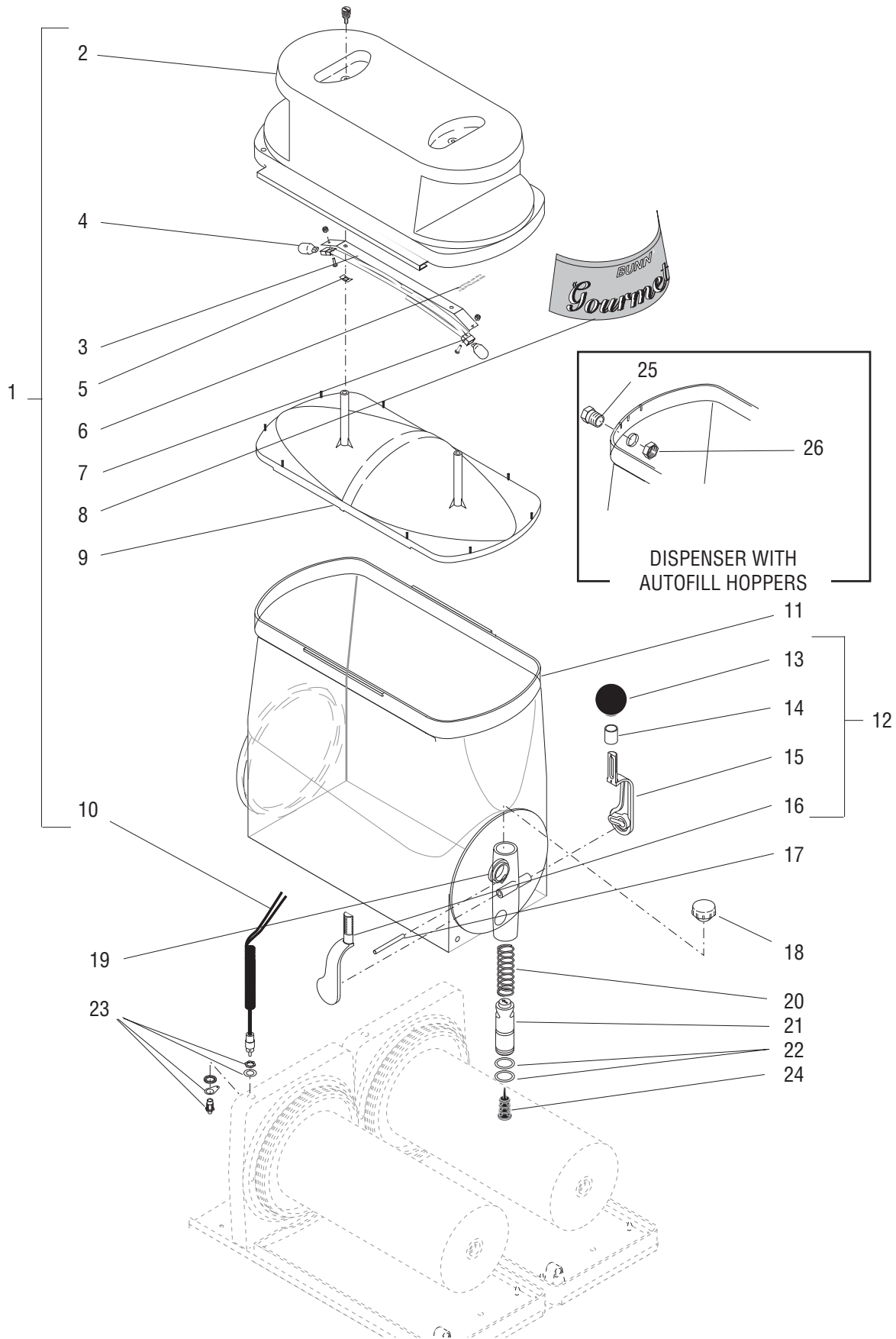
(Continued)



FRAME, PANELS, DRIP TRAYS AND LEGS

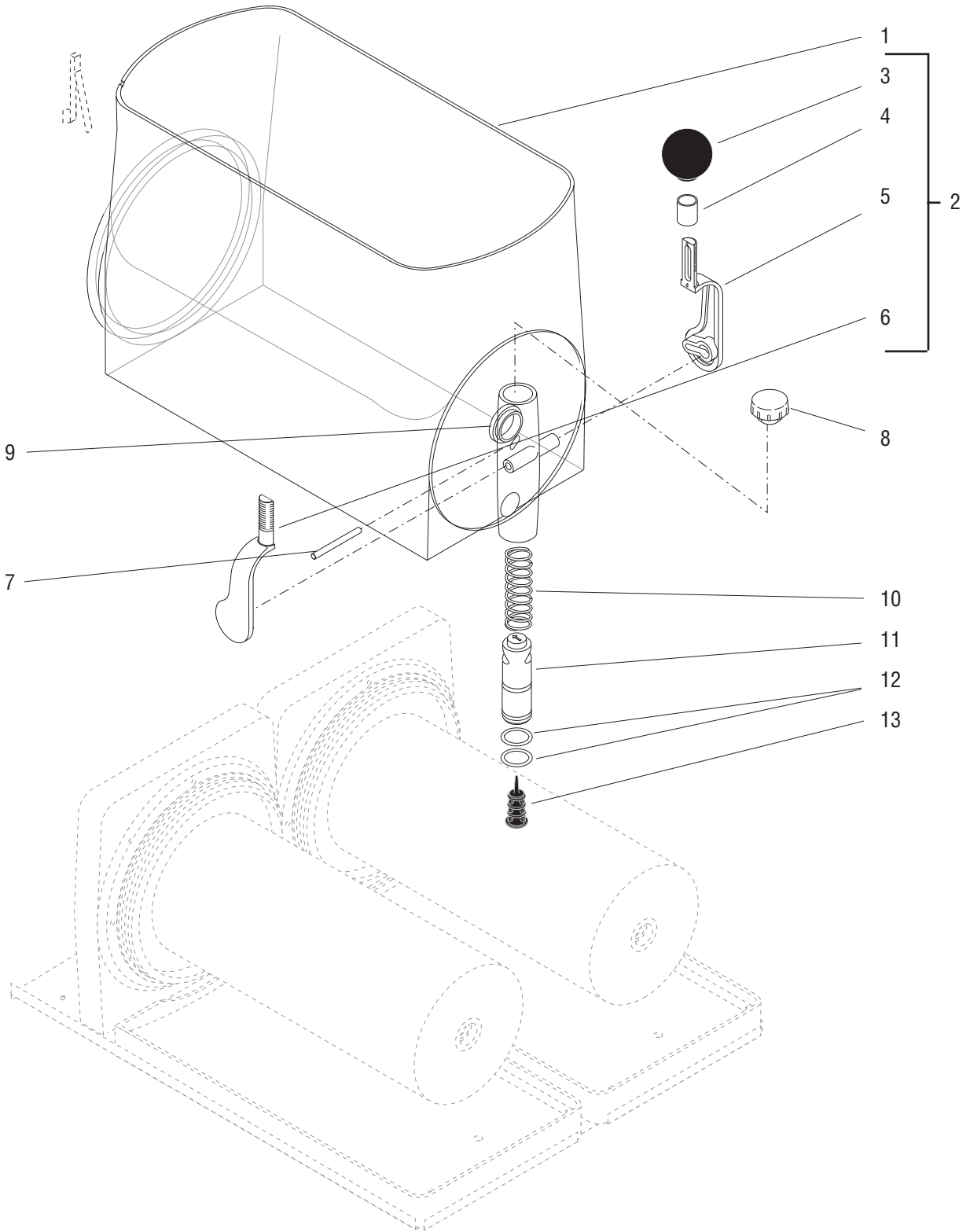
ITEM	PART NO.	QTY.	DESCRIPTION
19	27444.0000	1	Decal, Freon Charge (CDS-2)
	29373.0000	1	Decal, Freon Charge (CDSA-2)
20	27557.0000	1	Schematic, Coolant
21	27058.0001	1	Corner, Left Rear - SST
	27058.0003	1	Corner, Left Rear - BLK
	02332.0001	1	Screw, Hex Head Crimptite #6 x .25"
22	26528.0000	4	Leg, Black Plastic - 4" Adjustable .375" Thd (See item 32)
23	27046.0000	1	Frame, Base (CDS-2)
	27046.0001	1	Frame, Base (CDSA-2)
24	00927.0000	4	Clip, Spring
25	27131.0000	2	Trim, Frame - Rear - SST
	27131.0001	2	Trim, Frame - Rear - BLK
	02332.0001	1	Screw, Hex Head Crimptite #6 x .25" (Early models)
	32580.0000	1	Screw, Hex Head #6-32 x .25" (Late models)
26	00619.0000	1	Plug, Hole .875 Dia (Early Dispensers)
27	27664.0000	1	Decal, Lubrication
28	-----	1	Tube, Clear Vinyl .375" I.D. x .50" O.D. (Optional. Order item 33)
29	28098.0000	2	Fastener, Snap-in
30	00986.0002	1	Decal, Warning - Electrical
31	28270.0000	1	Decal, Caution - Instructional Video
32	13255.0003	-	Leg Kit (Includes 4 Legs and 4 Pads)
33	12421.1001	-	Tube, Clear Vinyl (12" Long)
	12421.1002	-	Tube, Clear Vinyl (60" Long)
	12421.1003	-	Tube, Clear Vinyl (120" Long)
34	28125.0000	-	Instructional Video

} Not Illustrated



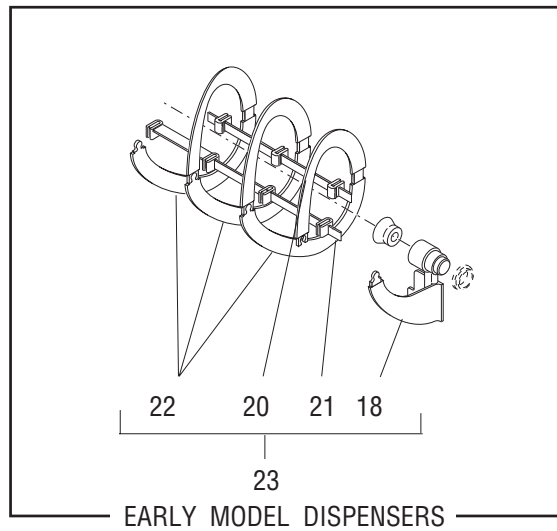
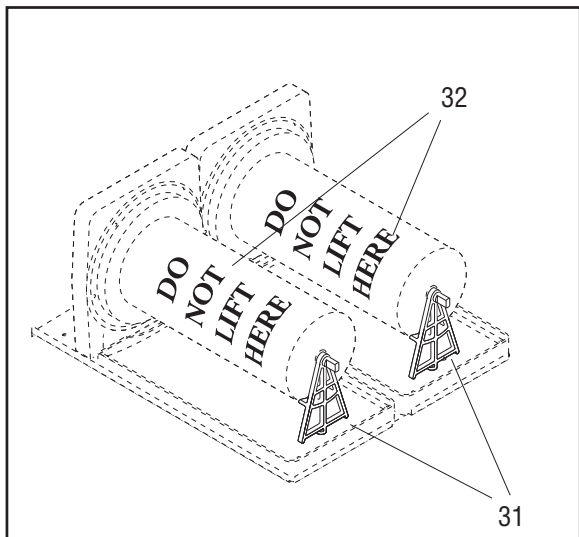
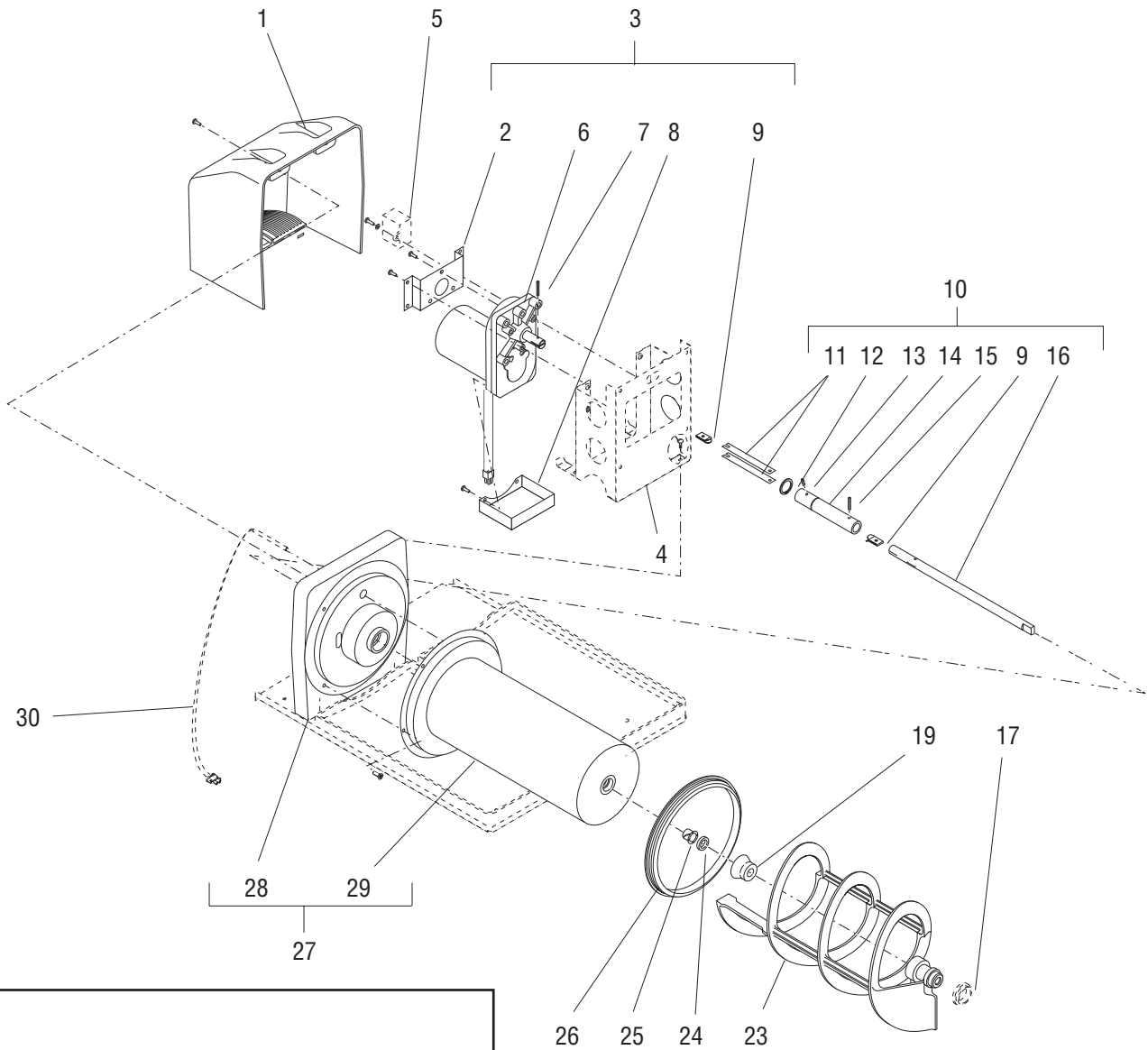
HOPPER AND TOP COVER

ITEM	PART NO.	QTY.	DESCRIPTION
1	28082.0000	2	Cover Assy. Hopper - WHI (Includes items 2 thru 10)
	28082.0007	2	Cover Assy. Hopper - BLK (Includes items 2 thru 10)
2	26714.1000	1	Cover, Hopper - WHI
	26714.1001	1	Cover, Hopper - BLK
	28062.0000	2	Screw, Knurled Thumb #8-32
3	27235.0000	1	Bracket, Lamp Mounting
4	27446.0000	2	Lamp, T-5 Wedge Base
5	27256.0000	2	Fastener, Push-on
6	27938.0000	1	Decal, Lamp Replacement
7	27445.1000	1	Lamp Holder/Socket Assy (Includes two of item 26)
	27448.0000	2	Screw, Pan Head #2-56 x .50"
	27447.0000	2	Nut, Elastic Lock #2-56
8	27135.0001	2	Decal, Hopper Cover
9	26717.0000	1	Liner Assy, Hopper Cover
10	27249.1000	1	Cord Assy, Lamp (Includes two of item 26)
11	28079.1000	2	Hopper Assy. (Includes item 19)(Hoppers W/Out Autofill holes)
	28079.1001	2	Hopper Assy. (Includes item 19)(Hoppers with 1 Autofill hole)
	28079.1002	2	Hopper Assy. (Includes item 19)(Hoppers with 2 Autofill holes)
12	28080.1000	2	Faucet Assy. WHI (Includes items 13 thru 16)
	28080.1001	2	Faucet Assy. BLK (Includes items 13 thru 16)
13	27137.0000	1	Knob, Black
14	26972.0000	1	Ring, Faucet Handle
15	26786.0001	1	Handle, Faucet - Right - WHI
	26786.0003	1	Handle, Faucet - Right - BLK
16	26786.0000	1	Handle, Faucet - Left - WHI
	26786.0002	1	Handle, Faucet - Left - BLK
17	26788.0000	1	Dowel, Faucet
18	26793.0000	2	Cap, Faucet - WHI
	26793.0001	2	Cap, Faucet - BLK
19	26784.0000	1	Bushing, Auger Shaft - Front
20	28107.0000	2	Spring, Faucet
21	28216.1000	2	Spool Assembly, Faucet - WHI (Includes item 24)
	28216.1001	2	Spool Assembly, Faucet - BLK (Includes item 24)
22	28083.0000	-	O-Ring Kit, Faucet Spool (Includes 6 O-rings. See item 27)
23	27643.0000	2	Connector Assy, Lamp Cord (Includes Nut, Washer, Leads & Plug)
	01532.0001	2	Lockwasher, Internal Tooth .375"
24	28391.0000	2	Plug, Faucet Spool (Late Models)
25	28776.0000	2	Plug, .375" NPT
26	24566.0000	2	Nut, .375" NPS
			Dispensers w/Autofill Hoppers (Use as required) 2 additional used on SL models.
27	M2550.0000	-	Lubricant, Petrol-Gel 4 oz (Not Illustrated)
28	03851.0000	4	Wire Nut (Not Illustrated)



PAF HOPPER AND FAUCET

ITEM	PART NO.	QTY.	DESCRIPTION
1	26713.1000	2	Hopper Assy. (Includes item 9)
2	28080.1000	2	Handle Assy, Faucet - White (Includes items 3 thru 6)
	28080.1001	2	Handle Assy, Faucet - Black (Includes items 3 thru 6)
3	27137.0000	1	Knob, Black
4	26972.0000	1	Ring, Faucet Handle
5	26786.0001	1	Handle, Faucet - Right
6	26786.0000	1	Handle, Faucet - Left
7	26788.0000	1	Dowel, Faucet
8	26793.0000	2	Cap, Faucet - White
	26793.0001	2	Cap, Faucet - Black
9	26784.0000	1	Bushing, Auger Shaft - Front
10	28107.0000	2	Spring, Faucet
11	28216.1000	2	Spool Assy, Faucet - White (Includes item 13)
	28216.1001	2	Spool Assy, Faucet - Black (Includes item 13)
12	28083.0000	-	O-Ring Kit, Faucet Spool (Includes 6 O-rings. See item 14)
13	28391.0000	2	Plug, Faucet Spool
14	M2550.0000	-	Lubricant, Petro-Gel 4 oz (Not Illustrated)



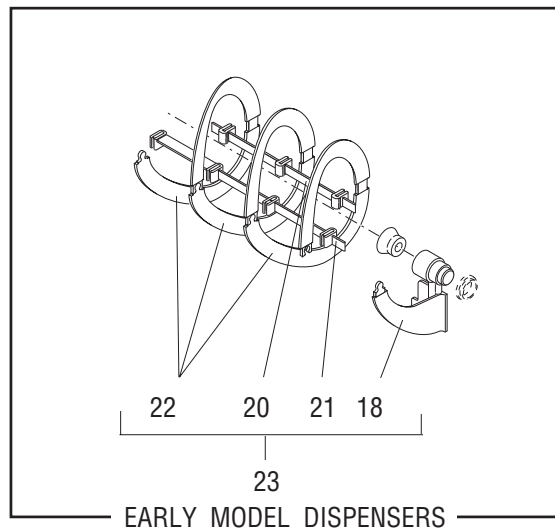
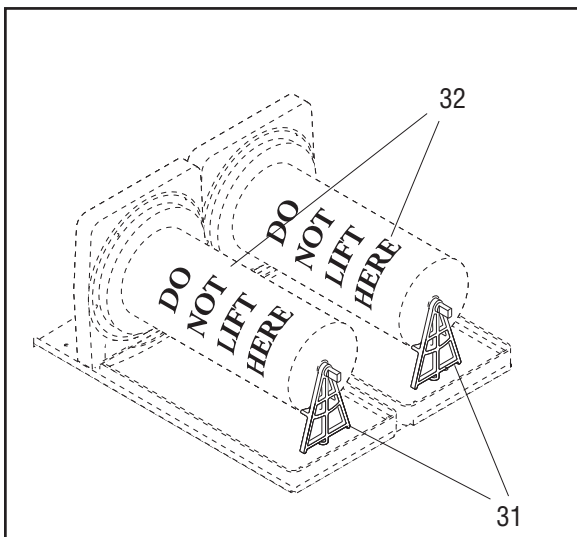
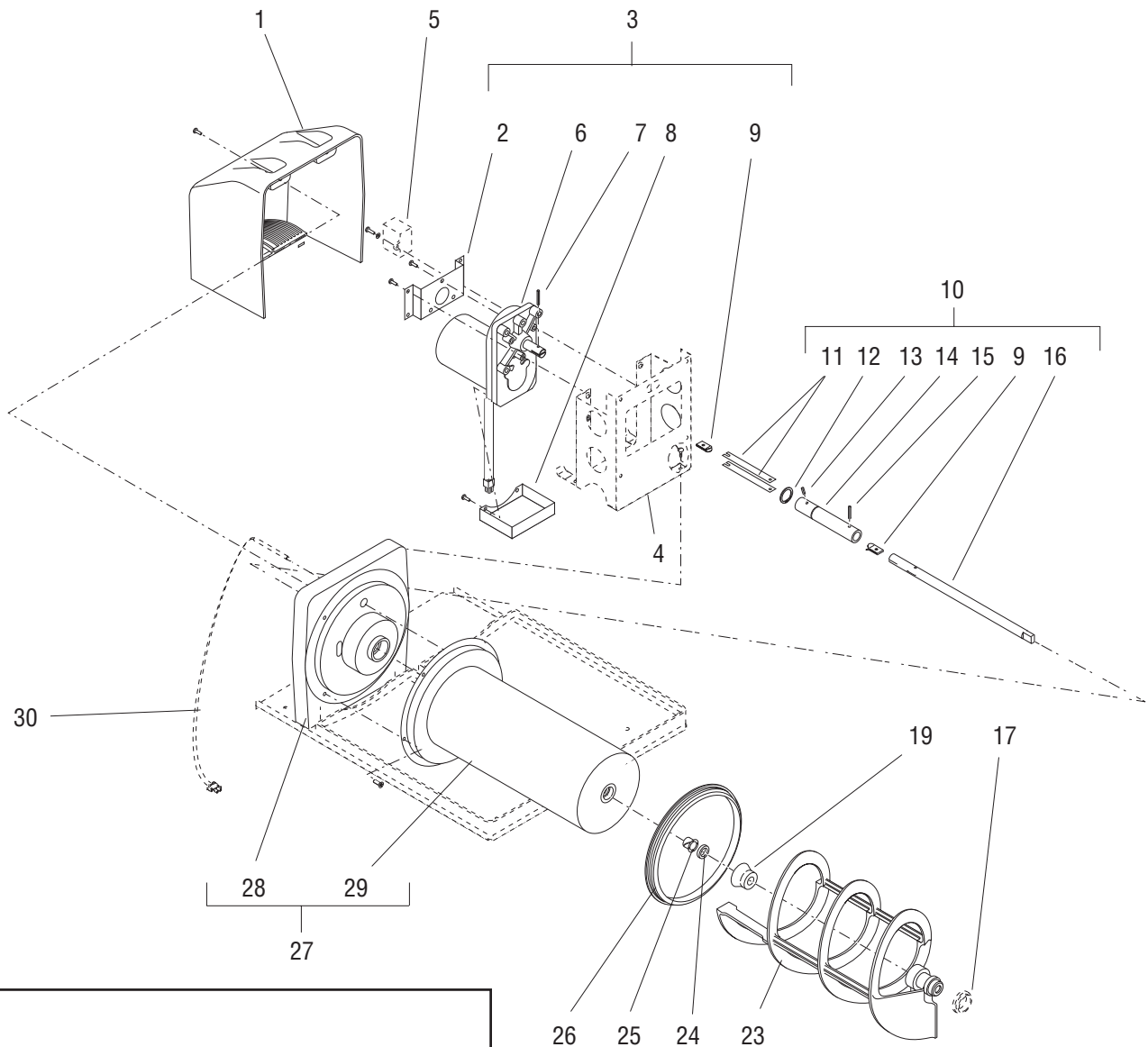
EARLY MODEL DISPENSERS

AUGER DRIVE AND COOLING DRUM

ITEM	PART NO.	QTY.	DESCRIPTION
1	27231.0000	2	Cover, Auger Motor - WHI
	27231.0001	2	Cover, Auger Motor - BLK
	01317.0003	4	Screw, Truss Head - Locking #8-32 x .375"
2	27232.0000	1	Bracket, Auger Motor Mounting
	01317.0003	3	Screw, Truss Head - Locking #8-32 x .375"
3	28093.1000	2	Motor Assy, Auger (Includes items 2, 6, 7 & 9) (120V)
	28093.1001	2	Motor Assy, Auger (Includes items 2, 6, 7 & 9) (230V)
	01326.0002	6	Screw, Pan Head #10-32 x .375"
4	28537.0000	2	Bracket, Auger Motor/Cooling Drum Mounting
	01311.0001	8	Screw, Truss Head - Locking #8-32 x .25"
5	-----	2	Capacitor, Motor (See ELECTRICAL AND OPERATING CONTROLS)
	01317.0001	2	Screw, Truss Head - Locking #8-32 x .50"
	01501.0000	2	Washer, #8
6	27179.1000	1	Motor Assembly, Auger (Includes Leads and Terminals) (120V)
	27179.1001	1	Motor Assembly, Auger (Includes Leads and Terminals) (230V)
7	34836.0000	1	Pin, Split .125" O.D. x .938"
8	27615.0000	1	Pan, Motor Drip
	02335.0001	2	Screw, Hex Crimptite #8-32 x .375" } Early Dispensers
9	27440.0000	2	Bearing, Torsion Spring
10	28081.0000	2	Shaft Assy, Auger Drive (Includes items 9, 11 thru 16)(See item 36
11	27223.0000	2	Spring, Torsion
12	27228.0000	1	Snap Ring
13	11556.0001	1	Pin, Split .125" O.D. x .437"
14	27224.0000	1	Retainer, Torsion Spring
15	34836.0001	1	Pin, Split .125" O.D. x .75"
16	27227.0000	1	Shaft, Auger
17	-----	2	Bushing, Auger - Front (See TOP COVER AND HOPPER)
18	27239.0000	2	Auger Nose
19	26780.0000	2	Seal, Auger Shaft (See item 33, 35 & 36)
20	26961.0000	1	Latch, Auger - Short
21	26960.0000	1	Latch, Auger - Long
22	26777.0000	3	Auger Section
23	28084.0000	2	Auger Assy. (Includes items 18, 20, 21 & 22) (Early model Dispensers)
	32106.1000	2	Auger, One piece (Late model Dispensers)
24	26782.0001	2	Seal, Cooling Drum (See items 35 & 36)
25	26781.0000	2	Bushing, Auger Shaft (See items 35 & 36)
26	26792.0000	2	Seal, Cooling Drum/Hopper (See item 33, 35 & 36)

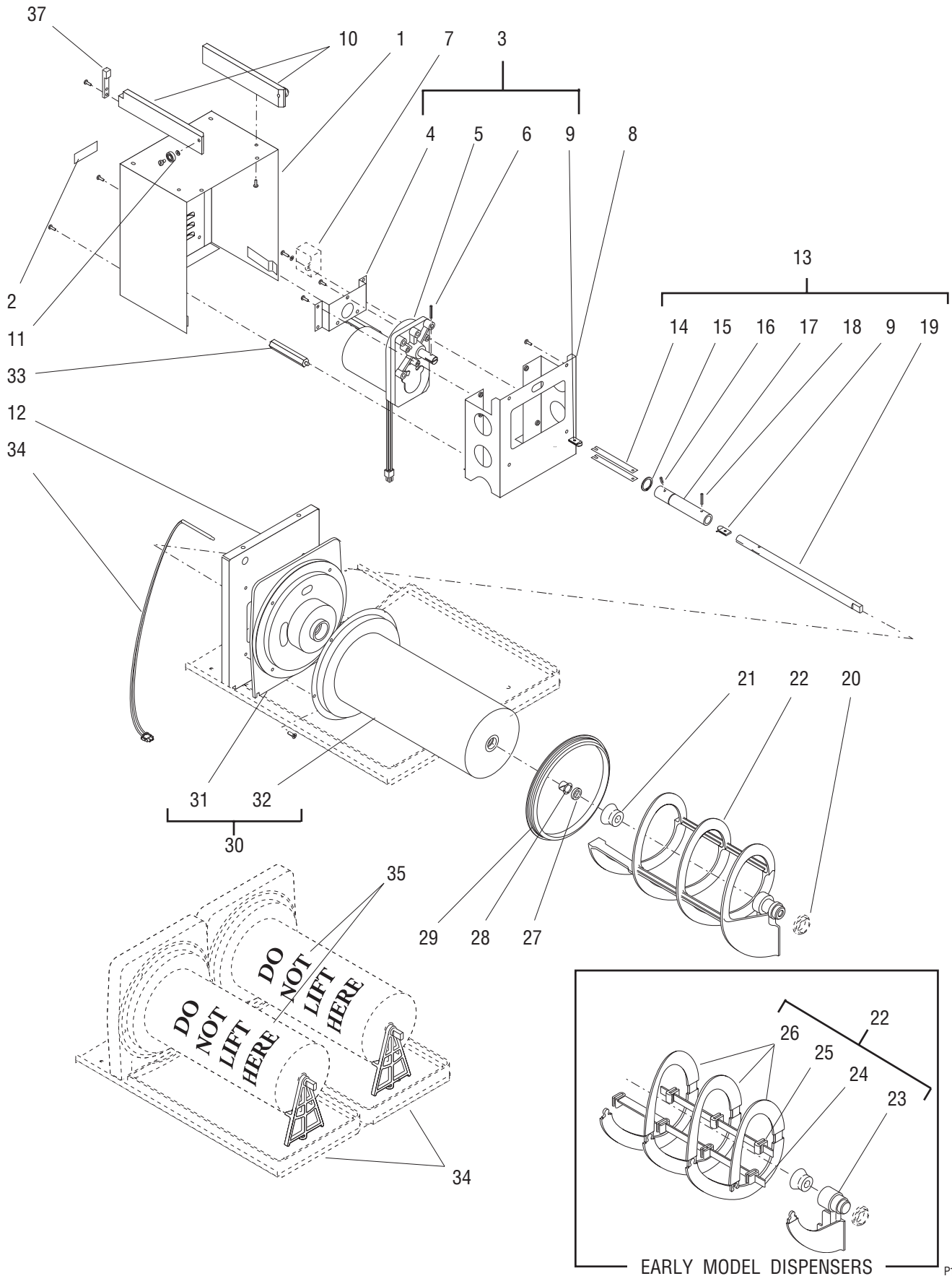
(Continued)

(Continued)



AUGER DRIVE AND COOLING DRUM

ITEM	PART NO.	QTY.	DESCRIPTION
27	27245.0001	2	Drum Assembly, Cooling - WHI (Includes items 28 & 29)
	27245.0002	2	Drum Assembly, Cooling - BLK (Includes items 28 & 29)
	01377.0000	8	Screw, Flat Head #8-32 x .75"
28	27230.0000	1	Mount Assembly, Cooling Drum - WHI
	27230.0001	1	Mount Assembly, Cooling Drum - BLK
29	-----	1	Drum, Cooling (Not Available. Order item 27)
30	-----	-	Temperature Sensor Assy (See ELECTRICAL AND OPERATING CONTROLS)
31	28027.0000	2	Support, Cooling Drum (For Shipping and Cooling Drum Adjustment)
32	28236.0000	2	Label, DO NOT LIFT HERE (For Shipping Only)
Items 33 through 36 are not illustrated:			
33	M2550.0000	-	Lubricant, Lubri-Film 4 oz.
34	M2548.1000	-	Lubricant, Krytox .50 oz
35	28106.0000	-	Kit, Preventive Maintenance (Includes items 19, 24, 25, 26, four faucet O-rings and two faucet spool plugs) (See item 36)
36	32050.0000	-	Kit, Preventive Maintenance, Auger Drive Shaft (Includes items 10 & 35)

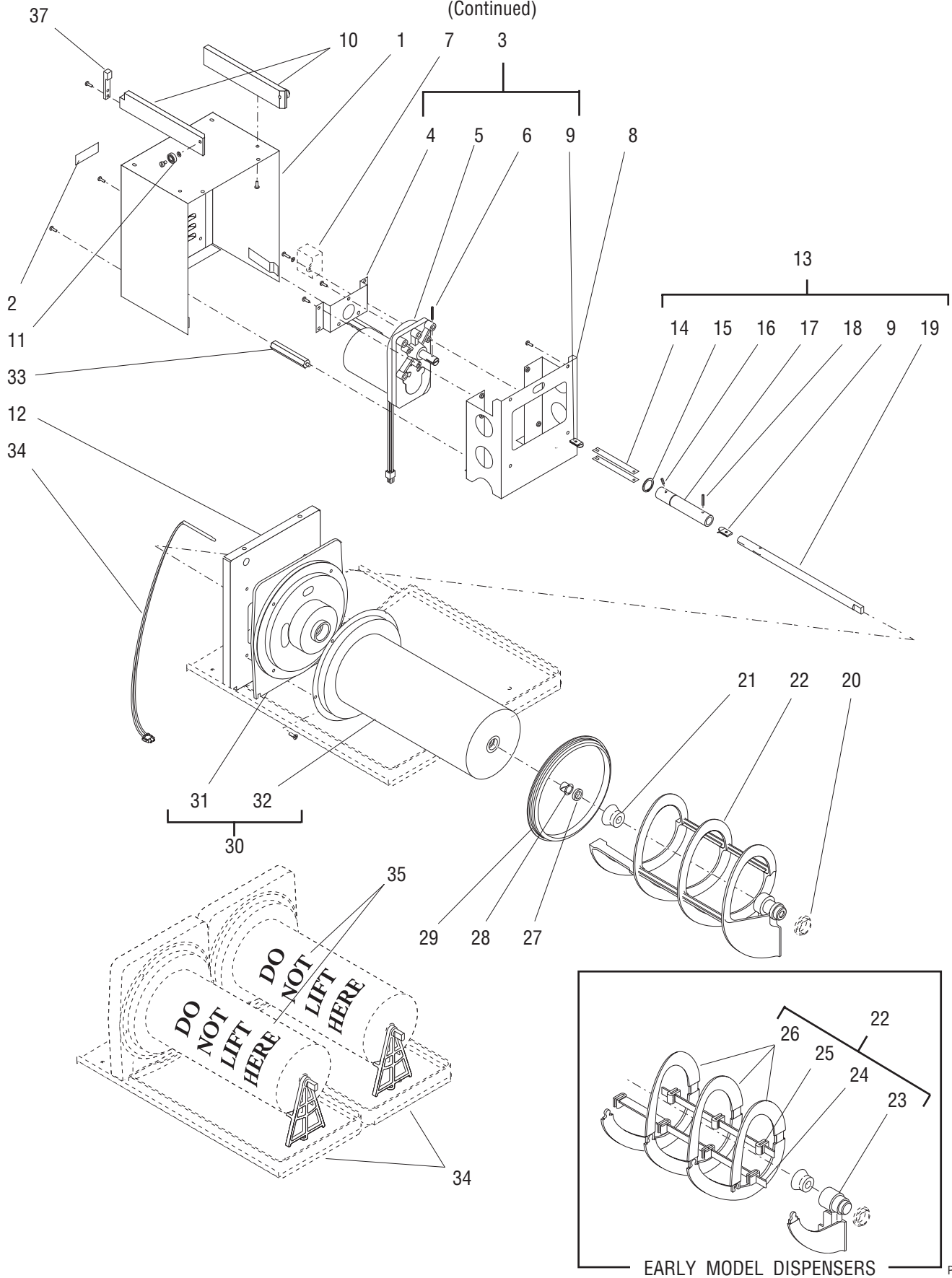


AUGER DRIVE AND COOLING DRUM

ITEM	PART NO.	QTY.	DESCRIPTION
1	29599.0001	2	Cover, Auger Motor - WHI
	29599.0002	2	Cover, Auger Motor - BLK
	02331.0000	4	Screw, Truss Head - Locking #10-32 x .375"
2	29844.0000	2	Decal
3	28093.1000	2	Motor Assy, Auger (Includes items 4, 5, 6 & 9)
	01326.0002	6	Screw, Pan Head #10-32 x .375"
4	27232.0000	1	Bracket, Auger Motor Mounting
	01317.0003	3	Screw, Truss Head - Locking #8-32 x .375"
5	27179.1000	1	Motor Assembly, Auger (Includes Leads and Terminals)
6	34836.0000	1	Pin, Split .125" O.D. x .938"
7	-----	2	Capacitor, Motor (See ELECTRICAL AND OPERATING CONTROLS)
	01317.0001	2	Screw, Truss Head - Locking #8-32 x .50"
	01501.0000	2	Washer, #8
8	29612.0000	2	Support, Motor
9	27440.0000	2	Bearing, Torsion Spring
10	-----	2	Rail, Left (Early models without latch is not available, order item38)
	29591.0002	2	Rail, Left (Late models)
	29591.0001	2	Rail, Right
	01330.0000	4	Screw, Hex-washer - Locking #10-32 x .375"
11	29724.0000	4	Roller
	24457.0001	4	Screw, Shoulder
	01522.0000	4	Washer
12	29616.0000	2	Support, Auger Motor/Cooling Drum Mounting - SST
	29612.0001	2	Support, Auger Motor/Cooling Drum Mounting - WHI
	29616.0002	2	Support, Auger Motor/Cooling Drum Mounting - BLK
	01311.0001	8	Screw, Truss Head - Locking #8-32 x .25"
13	28081.0000	2	Shaft Assy, Auger Drive (Includes items 9, 14 thru 19)(See item 42)
14	27223.0000	2	Spring, Torsion
15	27228.0000	1	Snap Ring
16	11556.0001	1	Pin, Split .125" O.D. x .437"
17	27224.0000	1	Retainer, Torsion Spring
18	34836.0001	1	Pin, Split .125" O.D. x .75"
19	27227.0000	1	Shaft, Auger
20	-----	2	Bushing, Auger - Front (See HOPPER AND FAUCET)
21	26780.0000	2	Seal, Auger Shaft (See items 39, 41 & 42)
22	28084.0000	2	Auger Assy. (Includes items 23 - 26) (Early model Dispensers)
	32106.1000	2	Auger, One Piece (Late model Dispensers)
23	27239.0000	1	Auger Nose

(Continued)

(Continued)



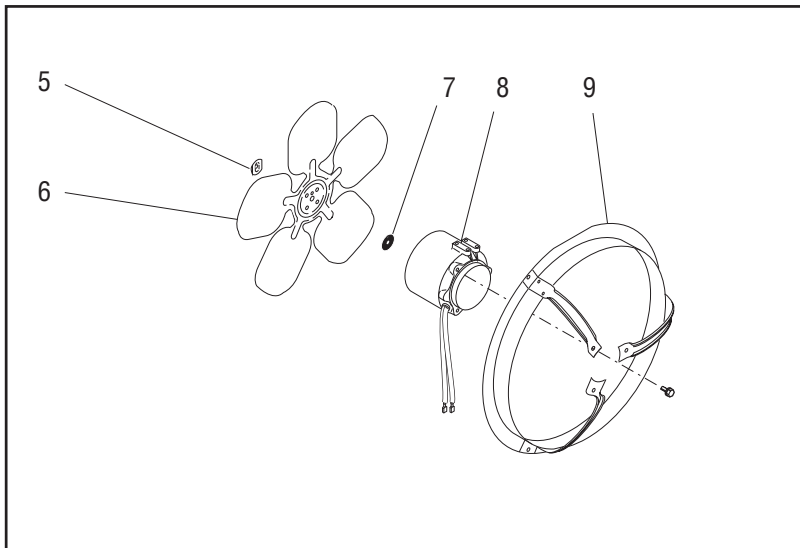
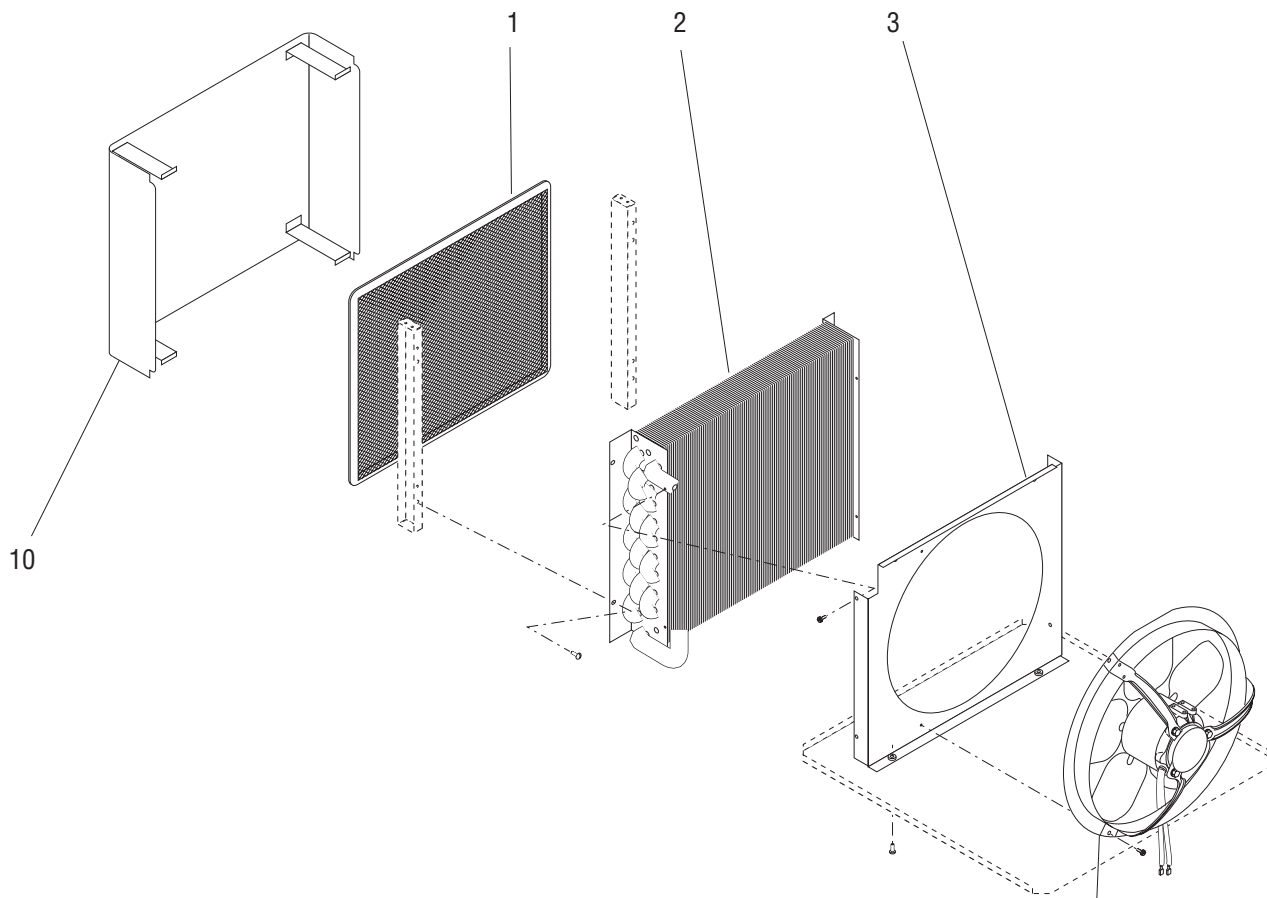
P1941.38

AUGER DRIVE AND COOLING DRUM

ITEM	PART NO.	QTY.	DESCRIPTION
24	26960.0001	1	Latch, Auger - Long
25	26961.0000	1	Latch, Auger - Short
26	26777.0000	3	Auger Section
27	26782.0001	2	Seal, Cooling Drum (See items 41 & 42)
28	26781.0000	2	Bushing, Auger Shaft (See items 41 & 42)
29	26792.0000	2	Seal, Cooling Drum/Hopper (See items 39, 41 & 42)
30	27245.0003	2	Drum Assembly, Cooling - WHI (Includes items 31 & 32)
	27245.0004	2	Drum Assembly, Cooling - BLK (Includes items 31 & 32)
	01377.0000	8	Screw, Flat Head #8-32 x .75"
31	29620.0000	1	Mount Assembly, Cooling Drum - WHI
	29620.0001	1	Mount Assembly, Cooling Drum - BLK
32	-----	1	Drum, Cooling (Not Available. Order item 30)
33	29725.0000	4	Standoff
34	-----	-	Temperature Sensor Assy (See ELECTRICAL AND OPERATING CONTROLS)
35	28027.0000	2	Support, Cooling Drum (For Shipping and Cooling Drum Adjustment)
36	28236.0000	2	Label, DO NOT LIFT HERE (For Shipping Only)
37	32632.0000	2	Latch, Retaining
	01317.0000	4	Screw, Truss Head #8-32 x .50"

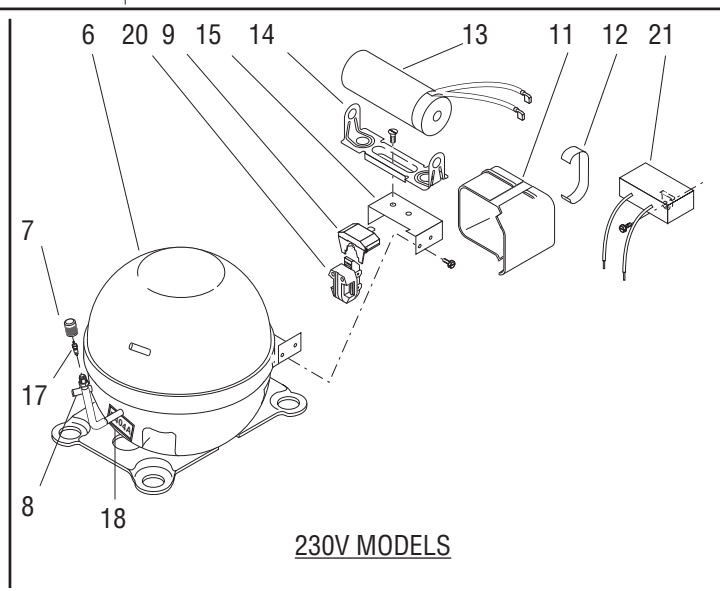
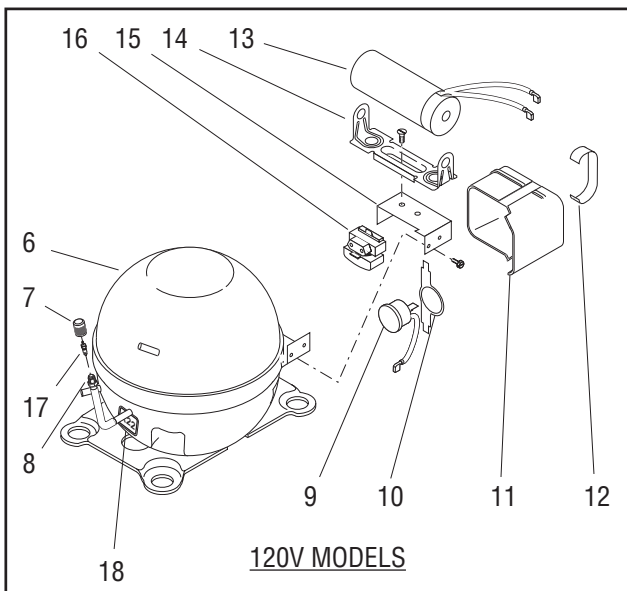
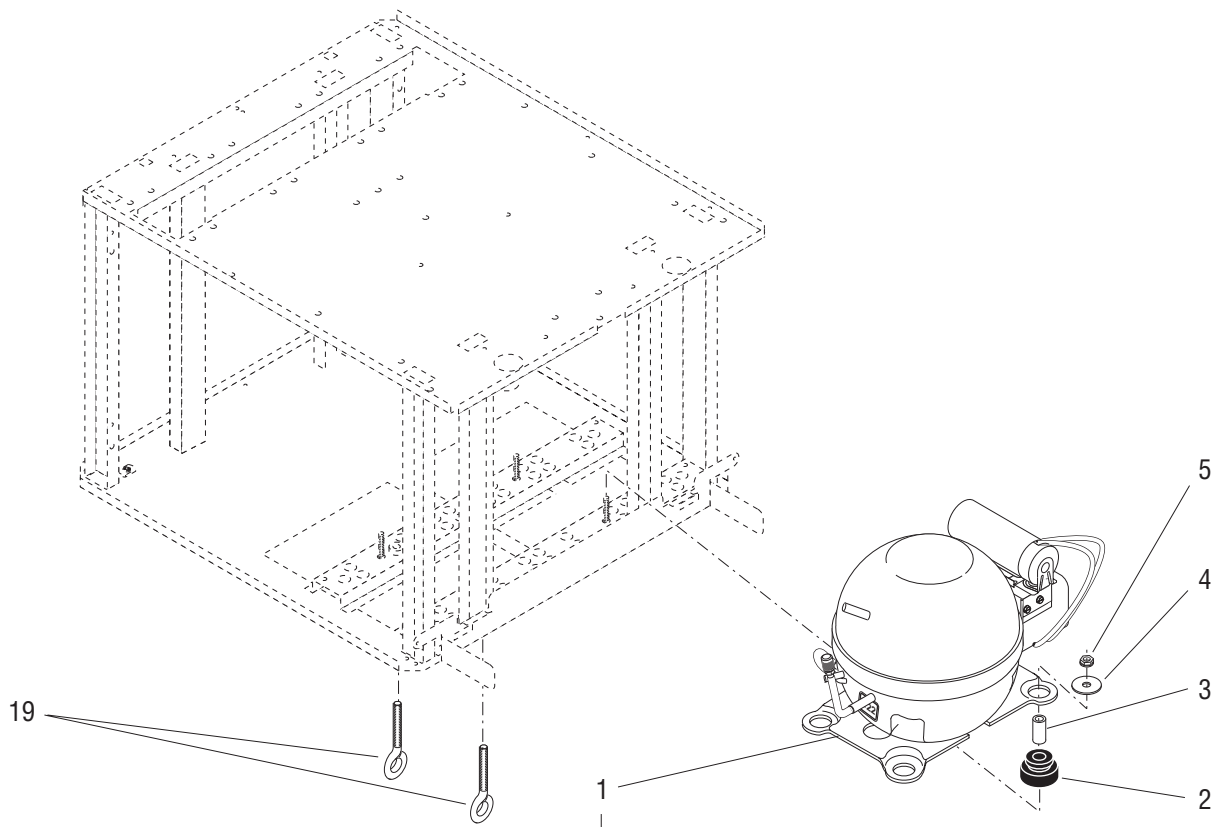
Items 38 through 42 are not illustrated:

38	32175.0000	-	Kit, Latch/Rail (Includes items 10, 11 & 37) (Kit contains parts for one left rail only)
39	M2550.0000	-	Lubricant, Lubri-Film 4 oz.
40	M2548.1000	-	Lubricant, Krytox .50 oz
41	28106.0000	-	Kit, Preventive Maintenance (Includes items 21, 27, 28, 29, four faucet O-rings and two faucet spool plugs) (See item 42)
42	32050.0000	-	Kit, Preventive Maintenance Auger Drive Shaft (Includes items 13 & 41)



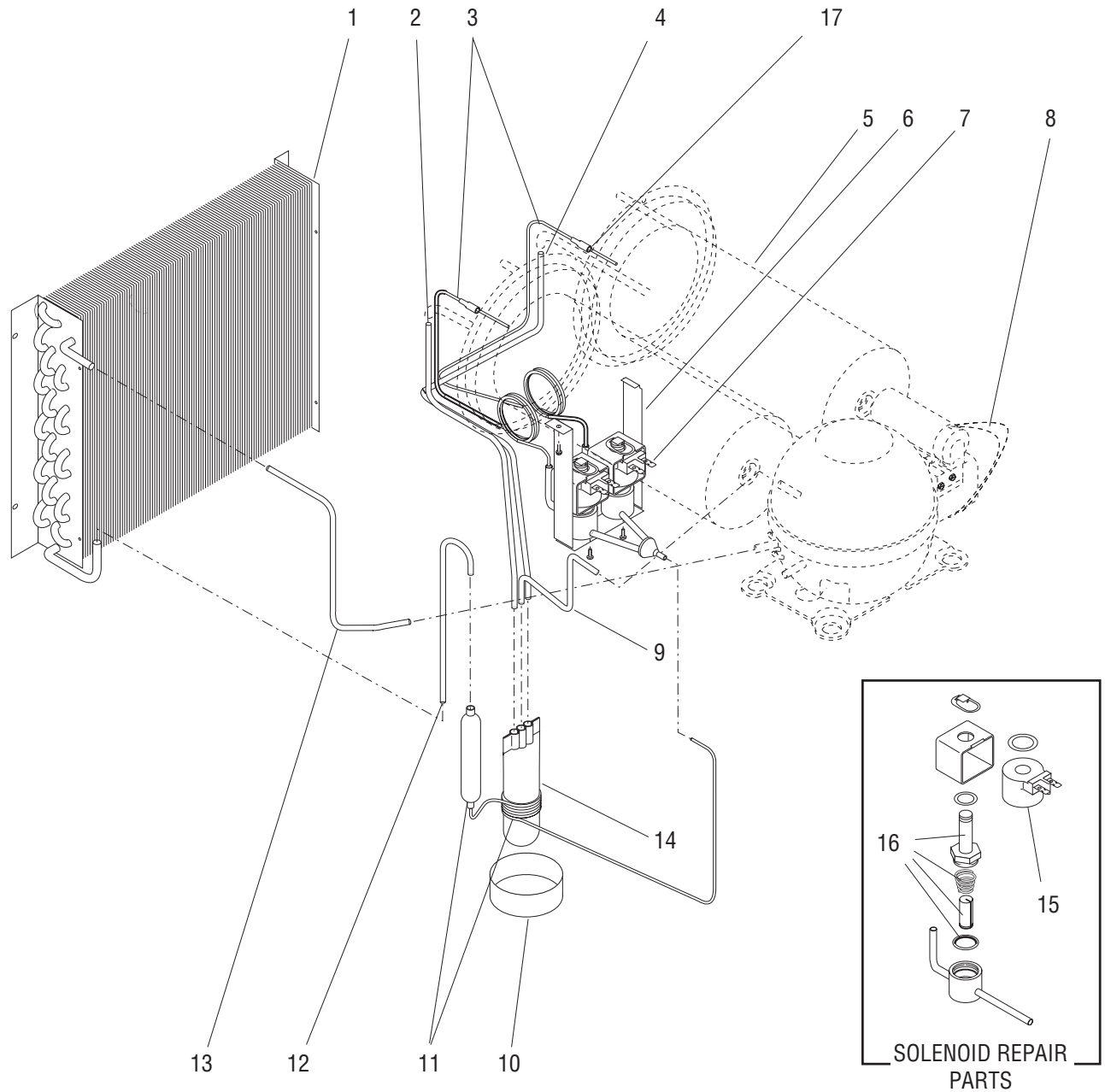
CONDENSER AND FAN MOUNTING

ITEM	PART NO.	QTY.	DESCRIPTION
1	28122.0000	1	Filter, Air
2	26791.0000	1	Condenser Assy
	02308.0000	4	Screw, Pan Head Serrated #8-32 x .375"
3	27413.0000	1	Shroud, Condenser
	02332.0001	4	Screw, Hex Head Crimptite #6 x .25"
	01317.0003	2	Screw, Truss Head - Locking #8-32 x .375"
4	27180.0000	1	Fan Assy, Condenser - 120V (Includes items 5 thru 9)
	27180.0001	1	Fan Assy, Condenser - 230V (Includes items 5 thru 9)
	02332.0002	3	Screw, Hex Head - Thread Cutting #6 x .375"
5	27257.0000	1	Speed Nut, .25"-20
6	27220.0000	1	Blade, Condenser Fan
7	27258.0000	1	Silencer, Fan
8	27221.0000	1	Motor, Condenser Fan - 120V (Includes Leads and Terminals)
	27221.0001	1	Motor, Condenser Fan - 230V (Includes Leads and Terminals)
9	27219.0000	1	Shroud/Mount, Condenser Fan
	27243.0000	3	Screw, Hex Head Thread Forming #8-32 x .437"
10	28049.0000	1	Cover, Rear - SST (Optional)
	28049.0001	1	Cover, Rear - BLK (Optional)



COMPRESSOR AND MOUNTING

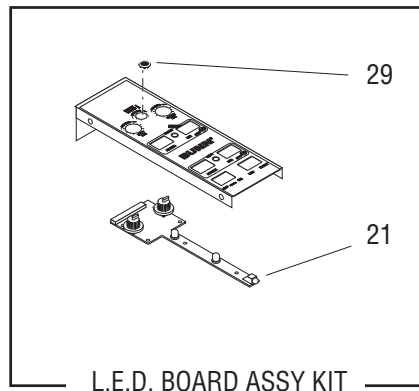
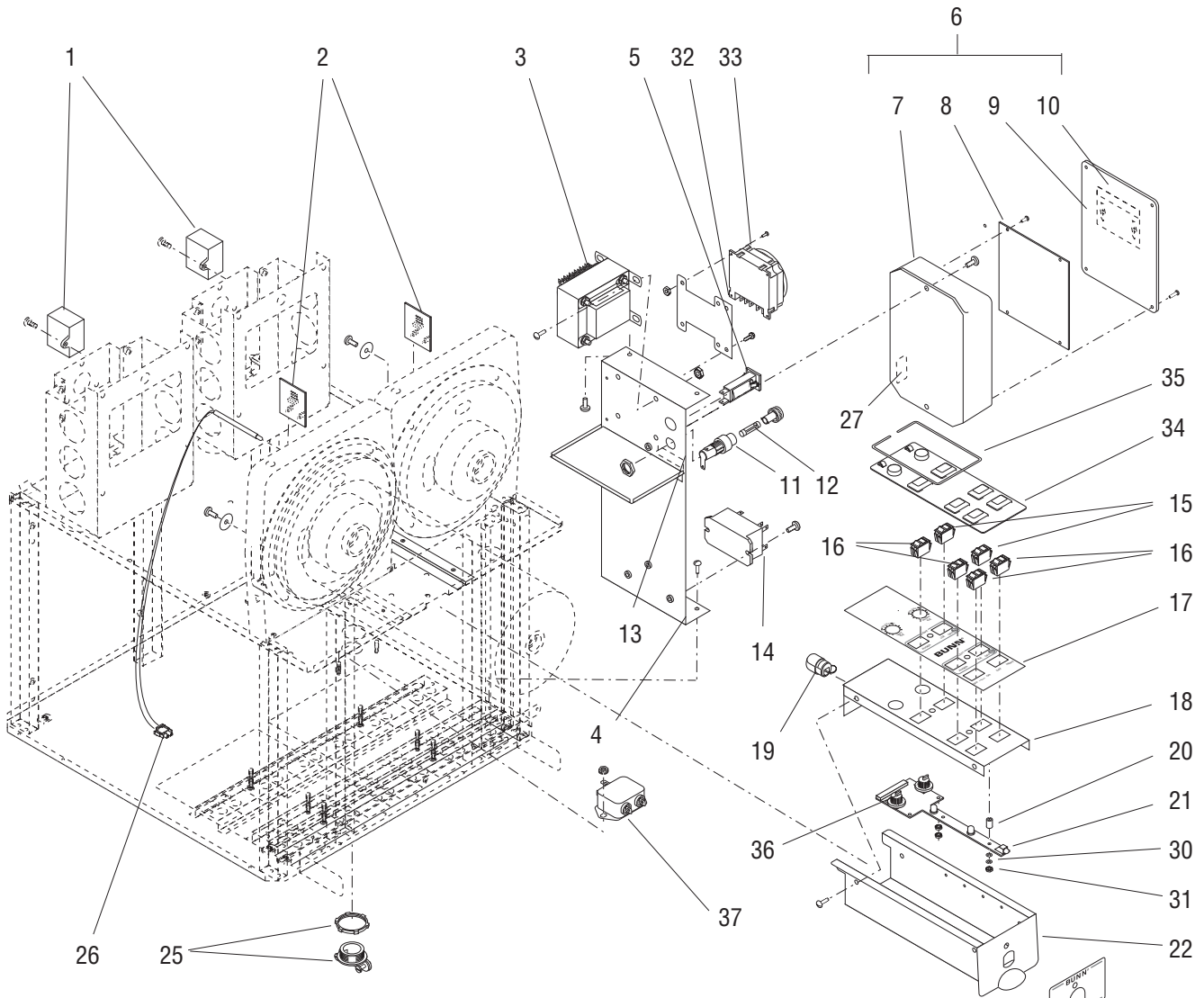
ITEM	PART NO.	QTY.	DESCRIPTION
1	27191.1000	1	Compressor Assy 120V (Includes items 2, 3 & 6 thru 18)
	27191.1001	1	Compressor Assy 230V (Includes items 2, 3, 6, 7, 8, 9, 11 thru 15, 17, 18, 20 & 21)
2	-----	4	Grommet, Compressor Mounting
3	-----	4	Sleeve, Compressor Mounting
			} Order item 22
4	21431.0003	4	Washer, .281" I.D. x 1.0" O.D.
5	23700.0000	4	Nut, Hex Keps .25"-20
6	-----	1	Compressor (Not Available. Order item 1)
7	27641.0000	1	Cap, Access Valve (Procure Locally)
8	27551.0001	1	Valve Assy, Access (Includes items 7 & 17)(Requires brazing to Install)
9	27407.0000	1	Overload Protector (120V)
	27407.0001	1	Overload Protector (230V)
10	27403.0000	1	Retainer, Overload Protector (120V)
11	27408.0000	1	Cover, Compressor Terminal
12	27404.0000	1	Retainer, Compressor Terminal Cover
13	27405.0000	1	Capacitor, Compressor Start (120V)
	27405.0002	1	Capacitor, Compressor Start (230V)
14	27250.0000	1	Bracket, Capacitor (120V)
	27250.0001	1	Bracket, Capacitor (230V)
	01359.0000	2	Screw, Flat Head #8-32 x .375"
15	27450.0000	1	Bracket, Capacitor Mounting
	02335.0001	2	Screw, Hex Head Crimptite #8 x .375"
16	27406.0000	1	Relay, Compressor Start (120V)
17	27642.0000	1	Valve Core, .25"
18	27269.0000	1	Label - R22 (120V)
	28651.0000	1	Label - R404A (230V)
19	28085.0000	2	Eyebolt (Shipping Only)
	28096.0000	1	Tag, Eyebolt Shipping Notice (Not illustrated)
20	27406.0002	1	Starter, Motor (230V)
21	27405.0001	1	Capacitor, Run (230V)
	02332.0002		Screw, Hex Crimptite #6 x .375"
22	27613.0000	1	Kit, Compressor Mounting (Includes 4 each of item 2 & 3)
23	27645.0000	1	Wiring Harness, Compressor to Main Harness and Contactor (Not Illustrated)



SOLENOID AND COOLANT PIPING

ITEM	PART NO.	QTY.	DESCRIPTION
1	-----	1	Condenser (See Condenser and Mounting)
2	27606.0001	1	Tube, .312" O.D. Accumulator to Left Cooling Drum (Requires brazing to install)
3	27607.0000	1	Tube, .093" O.D. Solenoid to Left Cooling Drum (Requires brazing to install)
	27607.0001	1	Tube, .093" O.D. Solenoid to Right Cooling Drum (Requires brazing to install)
4	27608.0000	1	Tube, .312" O.D. Accumulator to Right Cooling Drum (Requires brazing to install)
5	-----	2	Cooling Drum (See Auger, Auger Shaft and Cooling Drum)
6	27052.0000	1	Bracket, Solenoid Mounting (Requires brazing to install)
	02332.0001	1	Screw, Hex Head Crimptite #6 x .25"
7	28092.0000	1	Solenoid Assy (120V)
	28092.0001	1	Solenoid Assy (230V)
	01311.0001	4	Screw, Truss Head - Locking #8-32 x .25"
8	-----	1	Compressor (See Compressor Mounting)
9	27609.0001	1	Tube, .312 O.D. Accumulator to Compressor (Requires brazing to install)
10	27411.0000	1	Cup, Condensate
11	27187.0000	1	Dryer Assembly (Includes Tube to Solenoid) (Requires brazing to install)
12	27610.0001	1	Tube, .250" O.D. Condenser to Dryer Assembly (Requires brazing to install)
13	27611.0001	1	Tube, .250" O.D. Compressor to Condenser (Requires brazing to install)
14	27188.0001	1	Accumulator, Suction (Requires brazing to install)
15	28087.0000	1	Coil, Solenoid (120V)
	28087.0001	1	Coil, Solenoid (230V)
16	28091.0000	1	Kit, Solenoid Repair
17	28925.0000	2	Adapter, Reducing
18	M2316.0000	-	Insulation, Tube .375" I.D. x 6 ft LG (As Required)
19	00617.0000	20	Tie, BLK Nylon 3.90" LG (As Required)
20	03290.0000	3	Tie, WHI Nylon 11.5" LG

} Not Illustrated



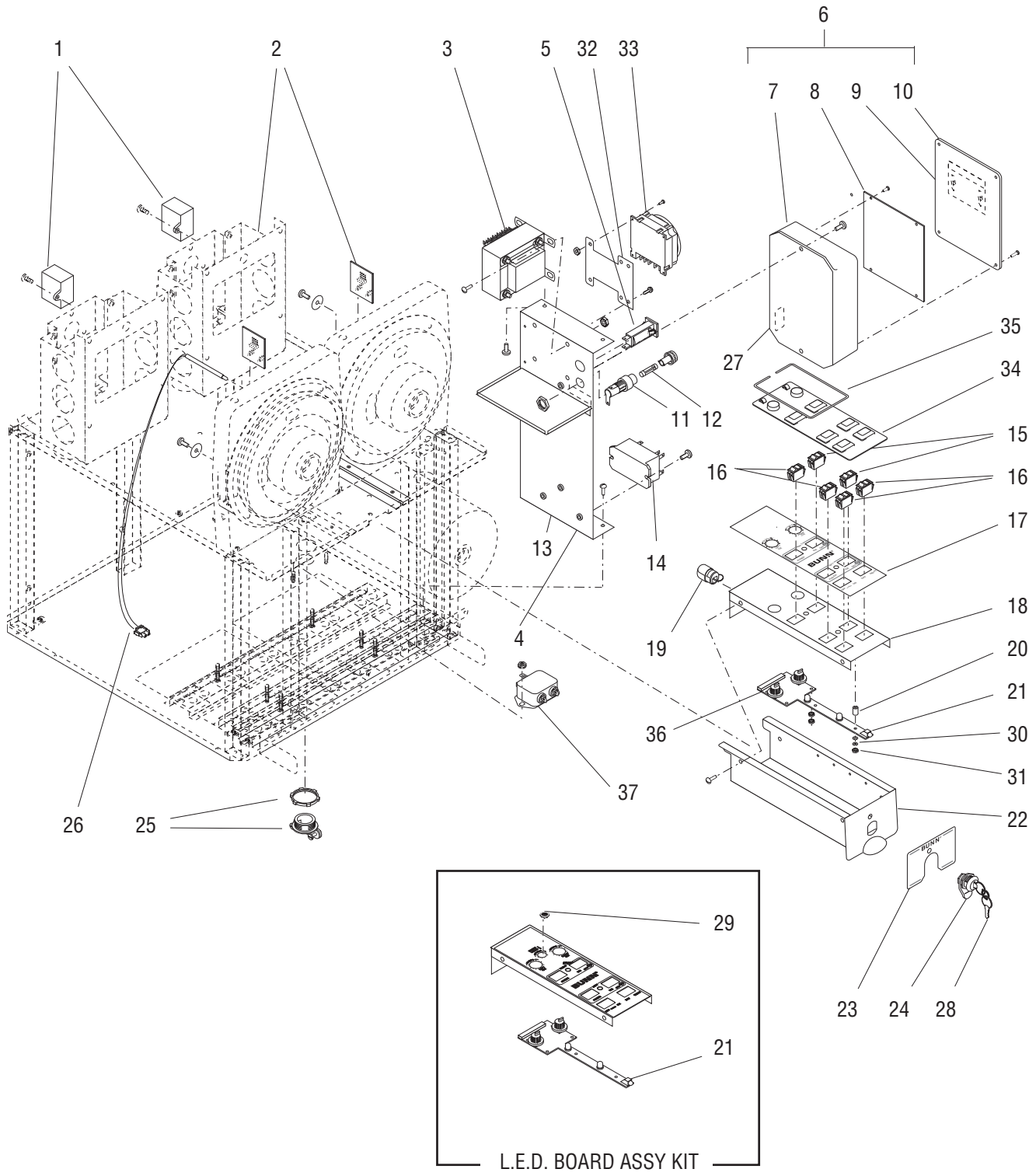
ELECTRICAL AND OPERATING CONTROLS

ITEM	PART NO.	QTY.	DESCRIPTION
1	27178.0000	2	Capacitor, Auger Motor 370 VAC
	27178.0001	2	Capacitor, Auger Motor 500 VAC
2	27939.1000	2	Circuit Board, Torque Sensor
	01317.0003	2	Screw, Truss Head - Locking #8-32 x .375"
	02360.0000	2	Washer, .188" I.D. x .75" O.D.
3	27644.1000	1	Transformer, 12V 80VA (Includes Leads, Terminal, Plug and Fuse)
	27644.1001	1	Transformer, 115/230V (Includes Leads, Terminal, Plug and Fuse)
	01315.0000	4	Screw, Truss Head - #8-32 x .375"
	00970.0000	4	Nut, Keps #8-32
4	27054.0000	1	Bracket, Electronic Control Mounting
	01317.0003	4	Screw, Truss Head - Locking #8-32 x .375"
5	27181.0000	1	Circuit Breaker, 5 amp
6	27412.1000	1	Electronic Control (Includes items 7 thru 10 & 27)
	01317.0000	2	Screw, Truss Head #8-32 x .375"
7	-----	1	Housing, Circuit Board
8	-----	1	Circuit Board
	-----	4	Screw
9	-----	1	Cover, Circuit Board Housing (Includes item 10)
	-----	4	Screw
10	12559.0003	1	Decal - Warning High Voltage
11	03231.0000	1	Holder Assy, Fuse (Includes Cap and Mounting Nut)
12	27441.0000	1	Fuse, 5 amp
13	27443.0000	1	Decal, Fuse
14	25948.0000	1	Relay, 120V (CDS-2)
	25948.0001	1	Relay, 230V (CDSA-2)
	01317.0003	2	Screw, Truss Head - Locking #8-32 x .375"
15	27437.0000	2	Switch, ON/OFF Ice
16	20317.0000	4	Switch, ON/OFF - Day/Night - Left & Right Auger
17	28090.0000	1	Decal, Control Panel
18	28088.0000	1	Panel, Control (Includes item 17)
	01317.0003	4	Screw, Truss Head Locking #8-32 x .375"
19	01666.0001	1	Bushing, Strain Relief - 90° .75" Dia
20	01533.0005	5	Spacer, Nylon .375"
21	28089.1000	1	Kit, L.E.D./ Adjustment Board (Includes items 29 & 36)
	27433.0000	6	Nut, Hex Keps #4-40
22	28094.0000	1	Drawer W/Decal SST (Includes item 23)
	28094.0002	1	Drawer W/Decal BLK (Includes item 23)

Not Available.
Order item 6

(Continued)

(Continued)

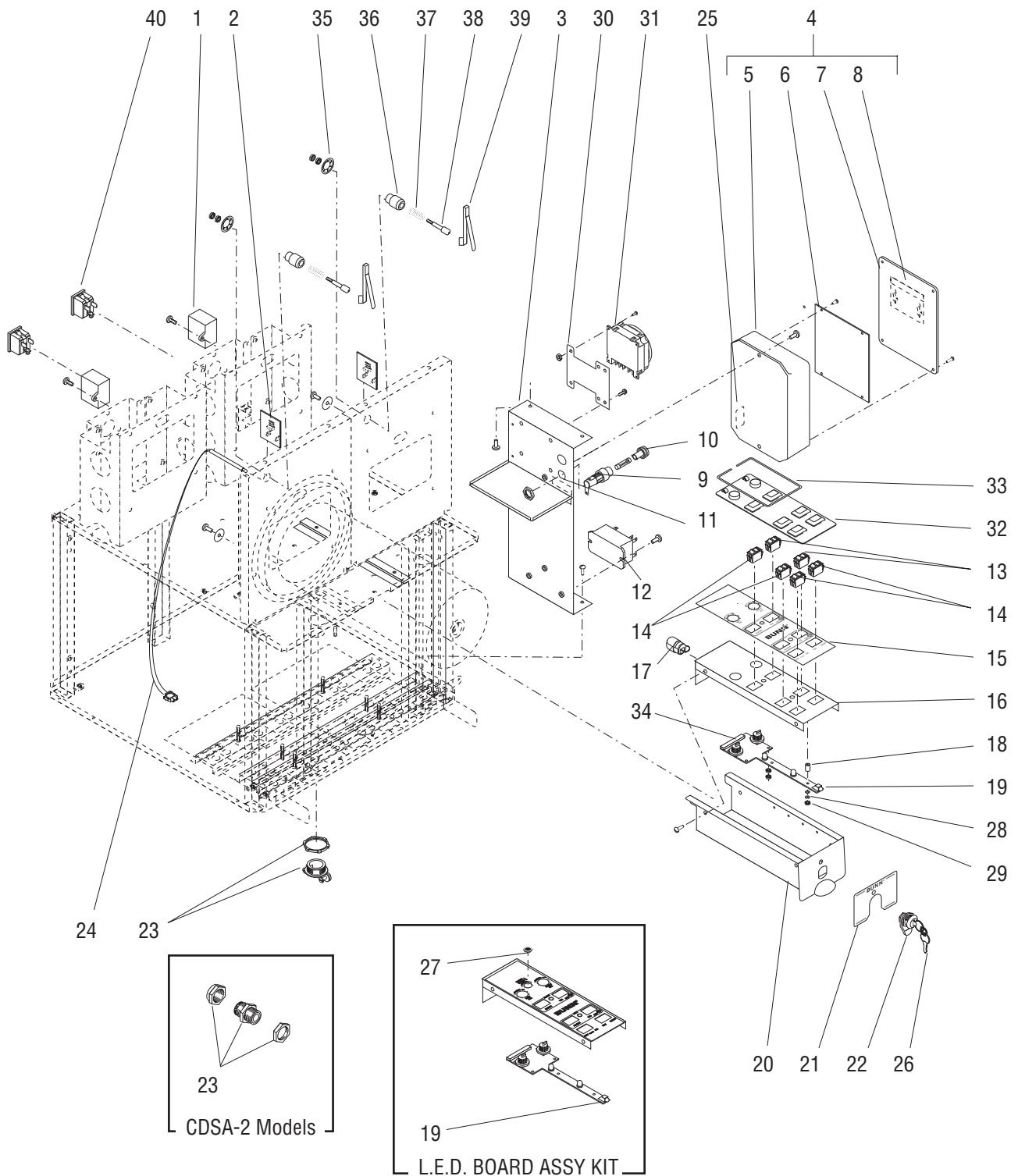


L.E.D. BOARD ASSY KIT

ELECTRICAL AND OPERATING CONTROLS

ITEM	PART NO.	QTY.	DESCRIPTION
23	27438.0000	1	Decal, Drawer - Front SST
	27438.0001	1	Decal, Drawer - Front BLK
24	11628.0001	1	Lock Assy, Drawer (Includes item 28)
25	01685.0000	1	Connector, Cord .50MPT (Includes Nut)
26	27246.0000	2	Temperature Sensor Assy (Includes Connector)
27	27734.0000	1	Cover, Hole
28	28095.0000	2	Key, Drawer Lock Assy. (Set of Two)
29	00669.0003	1	Plug, Hole - Black .43" Dia
30	27088.0000	1	Washer, Nylon #6
31	01521.0000	1	Washer, SST #6
32	28507.0000	1	Bracket, Timer Mounting
	02332.0002	2	Screw, Hex Crimptite #6 x .375"
33	28503.0000	1	Timer, 120V
	28503.0001	1	Timer, 240V
	21717.0000	4	Screw, Pan Head #6-32 x .375"
	00973.0000	4	Nut, Keps #6-32
34	28185.1000	1	Cover, Switch (Includes item 35)
35	29207.0000	1	Bail, Switch Cover
36	27396.0000	1	Knob, Temperature Adjustment
37	29446.0000	1	EMI Filter (CDSA-2 Only)
	00971.0000	2	Nut, Keps #10 - 32
38	01637.0002	1	Cord, Power (120V)
	27728.0006	1	Cord, Power (230V)
39	27659.0000	1	Wiring Harness, Main
40	21014.0123	1	Lead Electrical, Ground - 14AWG GRN 11" LG
	00971.0000	2	Nut, Keps #10-32
41	00617.0000	10	Tie, BLK Nylon 3.90" LG (As Required)
42	12919.0000	4	Cap, Terminal

} Not Illustrated

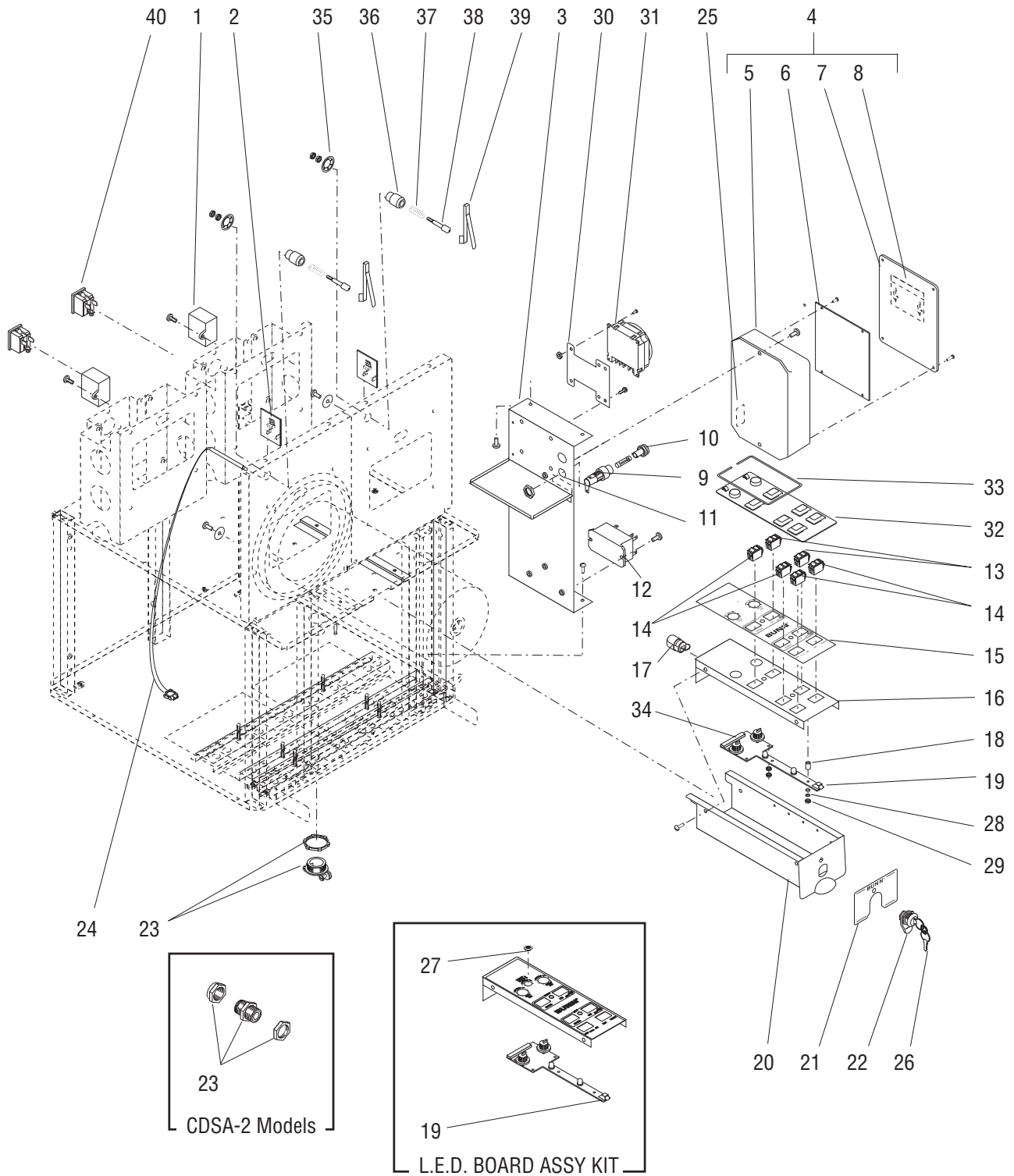


ELECTRICAL AND OPERATING CONTROLS

ITEM	PART NO.	QTY.	DESCRIPTION	
1	27178.0000	2	Capacitor, Auger Motor	
2	27939.1000	2	Circuit Board, Torque Sensor	
	01317.0003	2	Screw, Truss Head - Locking #8-32 x .375"	
	02360.0000	2	Washer, .188" I.D. x .75" O.D.	
3	27054.0000	1	Bracket, Electronic Control Mounting	
	01317.0003	4	Screw, Truss Head - Locking #8-32 x .375"	
4	27412.1000	1	Electronic Control (Includes items 5 thru 8 & 27)	
	01317.0000	2	Screw, Truss Head #8-32 x .375"	
5	-----	1	Housing, Circuit Board	} Not Available. Order item 4
6	-----	1	Circuit Board	
	-----	4	Screw	
7	-----	1	Cover, Circuit Board Housing (Includes item 8)	
	-----	4	Screw	
8	12559.0003	1	Decal - Warning High Voltage	
9	03231.0000	1	Holder Assy, Fuse (Includes Cap and Mounting Nut)	
10	27441.0000	1	Fuse, 5 amp	
11	27443.0000	1	Decal, Fuse	
12	25948.0000	1	Relay, 120V	
	01317.0003	2	Screw, Truss Head - Locking #8-32 x .375"	
13	27437.0000	2	Switch, ON/OFF Ice	
14	20317.0000	4	Switch, ON/OFF - Day/Night - Left & Right Auger	
15	28090.0000	1	Decal, Control Panel	
16	28088.0000	1	Panel, Control (Includes item 15)	
	01317.0003	4	Screw, Truss Head Locking #8-32 x .375"	
17	01666.0001	1	Bushing, Strain Relief - 90° .75" Dia	
18	01533.0005	5	Spacer, Nylon .375"	
19	28089.1000	1	Kit, L.E.D./ Adjustment Board (Includes items 27 & 34)	
	27433.0000	6	Nut, Hex Keps #4-40	
20	28094.0000	1	Drawer W/Decal SST (Includes item 21)	
21	27438.0000	1	Decal, Drawer - Front SST	
22	11628.0001	1	Lock Assy, Drawer (Includes item 26)	
23	01685.0000	1	Connector, Cord .50MPT (Includes Nut) (CDS-2 models)	
	05746.0000	1	Bushing, Strain Relief (CDSA-2 models)	
24	27246.0000	2	Temperature Sensor Assy (Includes Connector)	
25	27734.0000	1	Cover, Hole	

(Continued)

(Continued)



ELECTRICAL AND OPERATING CONTROLS

ITEM	PART NO.	QTY.	DESCRIPTION
26	28095.0000	2	Key, Drawer Lock Assy. (Set of Two)
27	00669.0003	1	Plug, Hole - Black .43" Dia
28	27088.0000	1	Washer, Nylon #6
29	01521.0000	1	Washer, SST #6
30	28507.0000	1	Bracket, Timer Mounting
	02332.0002	2	Screw, Hex Crimptite #6 x .375"
31	28503.0000	1	Timer, 120V
	21717.0000	4	Screw, Pan Head #6-32 x .375"
	00973.0000	4	Nut, Keps #6-32
32	28185.1000	1	Cover, Switch (Includes item 33)
33	29207.0000	1	Bail, Switch Cover
34	27396.0000	1	Knob, Temperature Adjustment
35	29742.0000	2	Push Nut
36	29726.0000	2	Housing
37	27788.0000	2	Spring
38	27748.0000	2	Pin
	00906.0000	4	Nut #6-32
39	29728.1000	2	Probe, Level (3.50")
	29728.1001	2	Probe, Level (1.86")
40	03628.0000	2	Receptacle
41	01637.0002	1	Cord, Power (120V)
42	27659.0000	1	Wiring Harness, Main
43	21014.0123	1	Lead Electrical, Ground - 14AWG GRN 11" LG
	00971.0000	2	Nut, Keps #10-32
44	00617.0000	10	Tie, BLK Nylon 3.90" LG (As Required)
45	12919.0000	4	Cap, Terminal
46	29759.0000	1	Wiring Harness, Power (CDS-2 PAF)
	29759.0002	1	Wiring Harness, Power (CDSA-2 PAF)
47	29763.0000	2	Resister, Probe Detector
48	32501.0000	1	Voltage Divider (120V)
	32501.0001	1	Voltage Divider (240V)

] Not Illustrated

NUMERICAL INDEX

PART NO.	PAGE NO.	PART NO.	PAGE NO.	PART NO.	PAGE NO.	PART NO.	PAGE NO.
00617.0000	25,29,33	24566.0000	9	27188.0001	25	27444.0000	7
00619.0000	7	25948.0000	27,31	27191.1000	23	27445.1000	9
00669.0003	29,33	25948.0001	27	27191.1001	23	27446.0000	9
00906.0000	33	26528.0000	7	27219.0000	21	27447.0000	9
00927.0000	7	26713.1000	11	27220.0000	21	27448.0000	9
00970.0000	27	26714.1000	9	27221.0000	21	27450.0000	23
00971.0000	29,33	26714.1001	9	27221.0001	21	27551.0001	23
00973.0000	29,33	26717.0000	9	27223.0000	13,17	27556.0000	5
00986.0002	7	26777.0000	13,19	27224.0000	13,17	27556.0001	5
01311.0001	13,17,25	26780.0000	13,17	27227.0000	13,17	27556.0002	5
01315.0000	27	26781.0000	13,19	27228.0000	13,17	27557.0000	7
01317.0000	19,27,31	26782.0001	13,19	27230.0000	15	27558.0000	5
01317.0001	13,17	26784.0000	9,11	27230.0001	15	27558.0001	5
01317.0003		26786.0000	9,11	27231.0000	13	27558.0002	5
	5,13,17,21,27,31	26786.0001	9,11	27231.0001	13	27558.0003	5
01326.0002	13,17	26786.0002	9	27232.0000	13,17	27606.0001	25
01330.0000	17	26786.0003	9	27235.0000	9	27607.0000	25
01359.0000	23	26788.0000	9,11	27239.0000	13,17	27607.0001	25
01377.0000	15,19	26791.0000	21	27243.0000	21	27608.0000	25
01501.0000	13,17	26792.0000	13,19	27245.0001	15	27609.0001	25
01521.0000	29,33	26793.0000	9,11	27245.0002	15	27610.0001	25
01522.0000	17	26793.0001	9,11	27245.0003	19	27611.0001	25
01532.0001	9	26955.0000	5	27245.0004	19	27613.0000	23
01533.0005	27,31	26955.0001	5	27246.0000	29,31	27615.0000	13
01637.0002	29,33	26958.0000	5	27249.1000	9	27641.0000	23
01666.0001	27,31	26958.0001	5	27250.0000	23	27642.0000	23
01685.0000	29,31	26960.0000	13	27250.0001	23	27643.0000	9
02308.0000	21	26960.0001	19	27256.0000	9	27644.1000	27
02329.0000	5	26961.0000	13,19	27257.0000	21	27644.1001	27
02331.0000	17	26967.1000	5	27258.0000	21	27645.0000	23
02332.0001	5,7,21,25	26967.1002	5	27269.0000	23	27659.0000	29,33
02332.0002	21,23,29,33	26972.0000	9,11	27394.0000	5	27660.1001	5
02335.0001	13,23	27046.0000	7	27394.0001	5	27660.1002	5
02360.0000	27,31	27046.0001	7	27396.0000	29,33	27664.0000	7
03231.0000	27,31	27052.0000	25	27403.0000	23	27728.0006	29
03290.0000	25	27054.0000	27,31	27404.0000	23	27734.0000	29,31
03628.0000	33	27058.0000	5	27405.0000	23	27748.0000	33
03851.0000	9	27058.0001	7	27405.0001	23	27788.0000	33
03996.0000	5	27058.0002	5	27405.0002	23	27938.0000	9
05746.0000	31	27058.0003	7	27406.0000	23	27939.1000	27,31
11556.0001	13,17	27088.0000	29,33	27406.0002	23	28027.0000	15,19
11628.0001	29,31	27131.0000	7	27407.0000	23	28049.0000	21
12421.1001	7	27131.0001	7	27407.0001	23	28049.0001	21
12421.1002	7	27132.0000	5	27408.0000	23	28062.0000	9
12421.1003	7	27135.0001	9	27410.0000	5	28078.0000	5
12559.0003	27,31	27136.0002	5	27411.0000	25	28078.0001	5
12919.0000	29,33	27136.0003	5	27412.1000	27,31	28079.1000	9
13255.0003	7	27137.0000	9,11	27413.0000	21	28079.1001	9
20317.0000	27,31	27178.0000	27,31	27433.0000	25,31	28079.1002	9
21014.0123	29,33	27178.0001	27	27437.0000	27,31	28080.1000	9,11
21431.0003	23	27179.1000	13,17	27438.0000	29,31	28080.1001	9,11
21436.0000	5	27179.1001	13	27438.0001	29	28081.0000	13,17
21437.1000	5	27180.0000	21	27440.0000	13,17	28082.0000	9
21717.0000	29,33	27180.0001	21	27441.0000	27,31	28082.0007	9
23700.0000	23	27181.0000	27	27442.0000	5	28083.0000	9,11
24457.0001	17	27187.0000	25	27443.0000	27,31	28084.0000	13,17

NUMERICAL INDEX

PART NO.	PAGE NO.	PART NO.	PAGE NO.	PART NO.	PAGE NO.	PART NO.	PAGE NO.
28085.0000	23	29763.0000	33				
28086.0000	5	29844.0000	17				
28086.0001	5	32050.0000	15,19				
28087.0000	25	32068.0000	5				
28087.0001	25	32106.1000	13,17				
28088.0000	27,31	32175.0000	19				
28089.1000	27,31	32501.0000	33				
28090.0000	27,31	32501.0001	33				
28091.0000	25	32580.0000	5,7				
28092.0000	25	32632.0000	19				
28092.0001	25	34836.0000	13,17				
28093.1000	13,17	34836.0001	13,17				
28093.1001	13	M2316.0000	25				
28094.0000	27,31	M2548.1000	15,19				
28094.0002	27	M2550.0000	9,11,15,19				
28095.0000	29,33						
28096.0000	23						
28098.0000	7						
28106.0000	15,19						
28107.0000	9,11						
28122.0000	21						
28125.0000	7						
28185.1000	29,33						
28216.1000	9,11						
28216.1001	9,11						
28236.0000	15,19						
28270.0000	7						
28391.0000	9,11						
28503.0000	29,33						
28503.0001	29						
28507.0000	29,33						
28537.0000	13						
28651.0000	23						
28776.0000	9						
28925.0000	25						
29207.0000	29,33						
29373.0000	7						
29446.0000	29						
29591.0001	17						
29591.0002	17						
29599.0001	17						
29599.0002	17						
29612.0000	17						
29612.0001	17						
29616.0000	17						
29616.0002	17						
29620.0000	19						
29620.0001	19						
29724.0000	17						
29725.0000	19						
29726.0000	33						
29728.1000	33						
29728.1001	33						
29742.0000	33						
29759.0000	33						
29759.0002	33						