

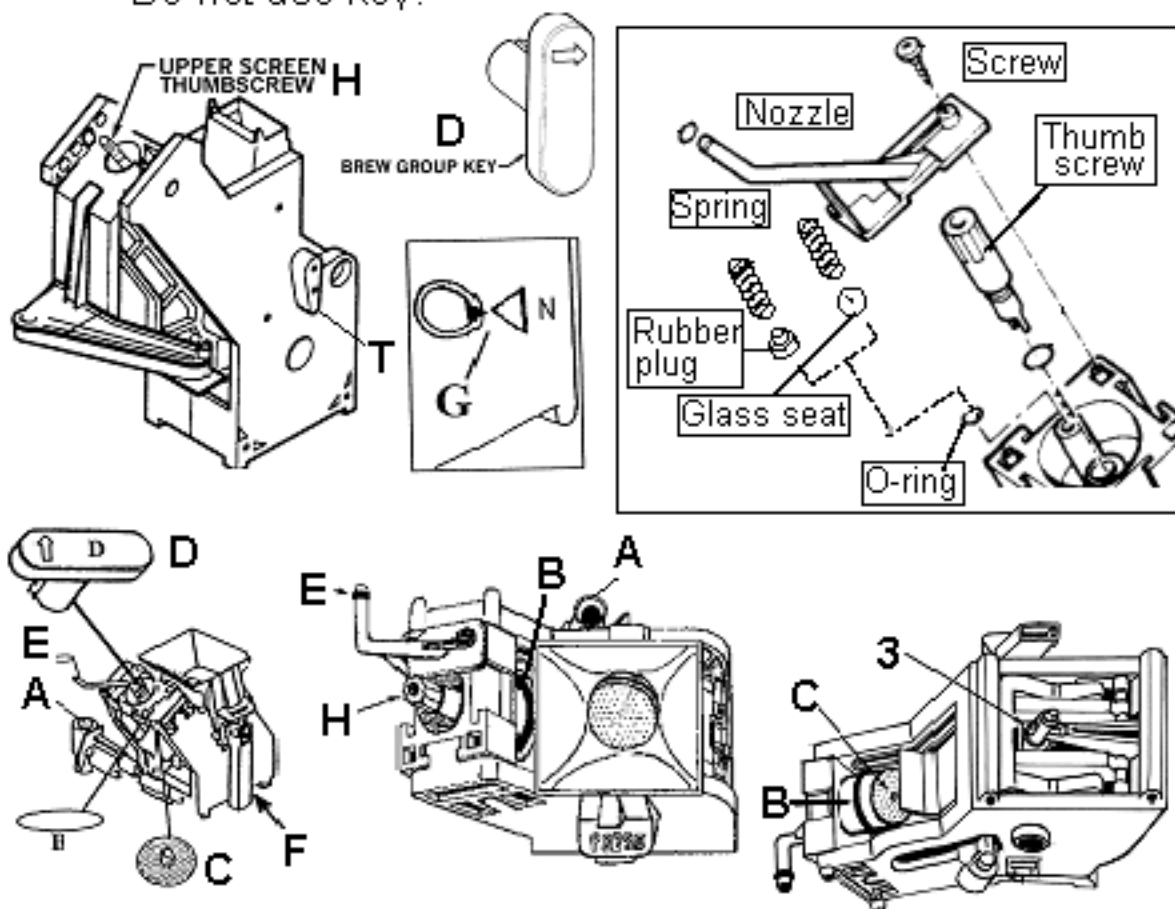
Cleaning & Maintaining Saeco Brew Group

As part of the normal preventive maintenance, the brew group filter screen should be removed and cleaned weekly. The brew group shown below is not the exact model for all machines, but the cleaning procedure is the same.

- Locate the filter screen by looking directly down into the center of the brew group. Remove the Philips head screw from the bottom of the chamber. With a little coaxing, the screen can be removed through the side of the brew group, just below the hopper area.
- The brew group key provided with each machine can be used to remove the upper filter screen from the brew group. Insert the brew group key on to the upper screen thumbscrew and rotate counter clockwise to loosen the upper screen. Hold the screen to keep it from rotating while turning the key. Unscrew the upper screen thumbscrew until the upper screen drops out. If the thumbscrew is too tight, use carefully pliers to turn.
- Clean filter screens thoroughly of all the coffee residues. If necessary soak them in mild detergent or coffee cleaning liquid (order from Services Unlimited, Inc. 12 oz. Bottle=\$.6.00). Hold the filter up to light to verify that most of the tiny holes are clear.
- Using a philip screw driver, remove the two screws on the dispense nozzle. Below the nozzle base is an o-ring seal and a hole. Inside the hole is a spring and at the bottom of the spring is a glass seat (valve). (In some models the valve may be a rubber plug). See illustration. Clean the spring and the valve with coffee cleaning liquid & replace all parts.

Clean the valve every month and replace the o-ring every year. Clean valve helps extraction with better crema.

- Rinse entire brew group thoroughly in hot water. Re-install filter screens. The smooth side of filter screen faces up. Tighten upper screen thumbscrew finger tight only. Do not use key.



- A = Receiving cup B = Tamp Piston gasket C = Upper screen
 E = Dispense spout F = Group handle G = Group home position.
 H = Thumb screw J = Bottom screen support T = Thumb tab lock