

Saeco SIN 006



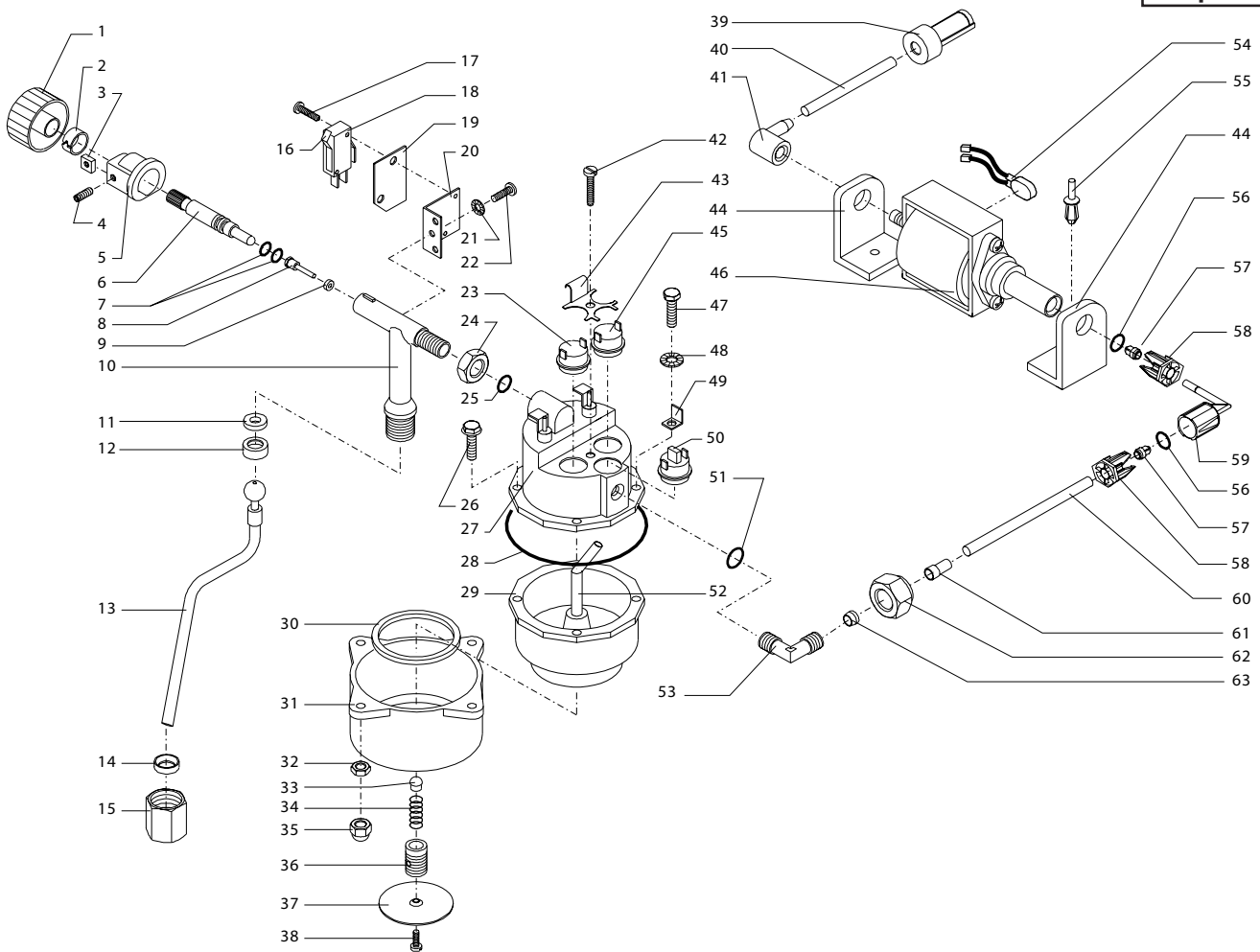
Cod. 7 1 41 09 - 10
7 1 41 15

POS	CODE	DESCRIPTION	NOTE	POS	CODE	DESCRIPTION	NOTE
01	178690700	Ext. Box polyst Rio Vapor.		26	142860150	Water tank funnel black	
02	178501500	Flex. Box saeco Via Venezia		26	142860162	Water tank funnel grey	
	178539600	Display box Saeco Rio Vapore		27	186800700	Subjunction block pa 52 24 way	
03	165912100	Inst. Booklet Saeco Rio Vapore		28	129823802	Tcb screw m4x8 uni 7687 znp	
04	146680159	Coffee measure grey /7016		29	186400200	Double tongue 6,3 d=4,3	
05	125740921	Grate for caffettiere		30	128310404	Washer uni 8842 a4 burnished	
06	149640847	Drip tray black		31	123160402	Nut m4 high uni 5587 galvanized	
06	149640862	Drip tray grey		32	186071300	Unip. Swi. Grey rold 81064	
07	142600347	Repository draw. Black			186071350	Unip. Switch bla.Rold 81191	
	142600362	Repository draw. Grey			186073400	Unip. Switch rold 81103	120 V
08	149180847	Drip tray support black		33	183670400	Unip. Switch grey Rold 81065	
	149180862	Drip tray support grey			183670450	Unip. Switch black Rold 81192	
09	226550660	Filterh. Grcr. Tongue =25 complete grey			183670500	Unip. Switch Rold 81104	120 V
	226551850	Press. Filterh. Brass black op/pol		34	129516803	Screw tcb3,5x19 din 7981 nick	
10	227540530	Boil. Support pla. White Vap/prof		35	142840762	Screw coverpla. Grey	
	227540547	Boil. Support pla. Black Vap/prof		36	147750647	Boil. Pla. Guard black	
11	222375430	White case s-scre. Saeco Rio Vap.			147750662	Boil. Pla. Guard grey	
	222375447	Black case silk-scree. Saeco Rio Vap.		37	129590121	Self tapscrew 2,9x6,5 tmc	
	222390321	Inox case s-scree. Saeco Via Venezia		38	122801321	Cupwarming lid + 2 holes	
	222390343	Blu Case s-scree. Saeco Via Venezia		39	128310321	Washer uni 8842 A3	Inox
	222390395	Yellow case s-scree. Saeco Via Venezia		40	129511803	Screw tcb 2,9x6,4 din 7981 nick	
12	186051400	Bip. Switch grey rold 81063 as.					
	186051450	Bip. Switch black rold 81190 ass		41	183500100	Power cable Italy black	l=1600mm
	186052400	Bip. Switch rold 81102	120V		183502000	Power cable Schuko black	l=1600mm
13	147620700	Round self adh. Foot sj 5003 black			183504000	Power cable Australia black	l=1600mm
14	222680780	Water cont s/scre. Max ju			183506000	Power cable Japon black	l=1600mm
15	129513203	Screw tcb 2,9x15,9 din 7981 nick			183920150	Power cable USA/UL black 120 V	l=1600mm
16	186801400	3 Way junct. Block pa 27/3 + symbo		42	187640500	Grommet ab/9 black 75shore	
17	188600550	Cable clamp black					
18	129513203	Screw tcb 2,9x15,9 din 7981 nick					
19	128210200	Elastic washer for shaft d=2mm					
20	129511803	Screw tcb 2,9x6,4 din 7981 nick					
21	128310304	Washer uni 8842 A3 burnished					
22	147620500	Round adhesive foot 5025 black					
23	183351400	C. 5 St.Pvc 2 bla/sil 1 bro.2 Gree					
24	142840500	Green lens					
25	182510700	Antidis. Condenser r.46 0,1Mf 275v					

Saeco SIN 006

Rev. 02 - 17/04/01

TABLE 1/3



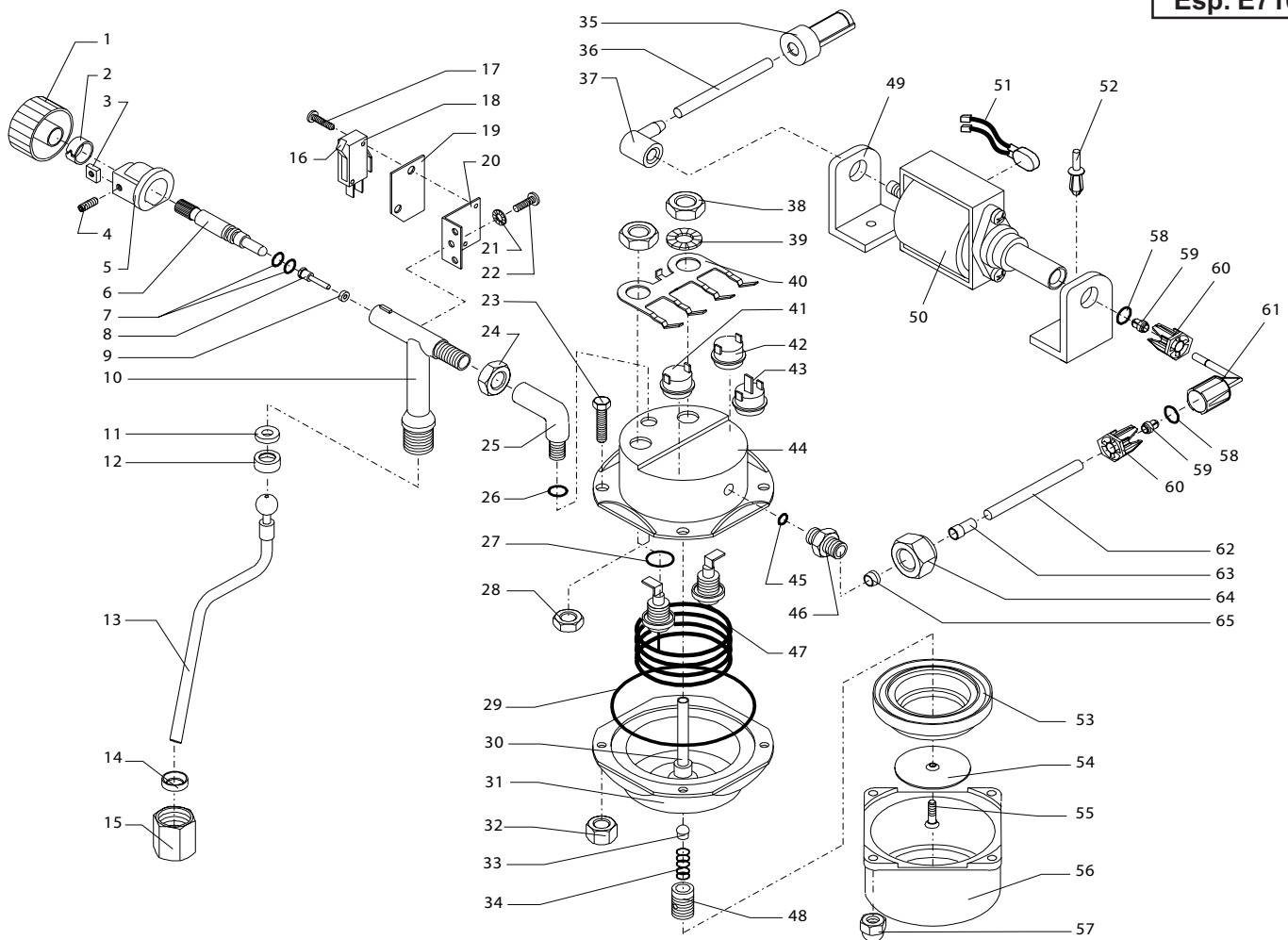
Saeco® SIN 006 BRASS BOILER



Cod. 7 1 41 09 - 10
7 1 41 15

POS	CODE	DESCRIPTION	NOTE
01	147710362	Grey knob faucet shaft	
02	120460204	Rapid connector d=10,6 h=5 sp=1	
03	123451900	Square nut m4 ch=8 h=2.5 ZNP	
04	125580104	STEI screw M4x8 UNI 5929 burnished	
05	142200350	Cam for faucet shaft	
06	120640620	Faucet shaft m/m 57	
07	140321461	Or 2018 in epdm	
08	128870420	Brass piston w/o groove l=21	
09	145842664	Teflon seal d=6 for piston	
10	128450801	Brass faucet boil. Brass	
11	145840365	Seal for articula. Steam tube	
12	148620100	Up. Semisphere seal	
13	129372208	Chr. Steam tube ass. w/sph-w/o noz	
14	148620200	Lower Semisphere seal	
15	123450308	Chro.Lock. Nut h=21 stea. Tu.+Sphe	
16	126310200	Crouzet lever 161 f 70507528	
17	129513203	Screw tcb 2,9x15,9 din 7981 nick	
18	186701500	Microsw.83161.1 lw3 ul/csa 8316116	
19	182580100	Insu. Card for micro (37,5x25)	
20	129180802	Micro support pla.	
21	128310404	Washer UNI 8842 A4 burnished	
22	129823802	TCB screw M4x8 UNI 7687 ZNP	
23	189425100	Thermostat 127° C	
24	123390420	Nut 1/8 gas h=4.5 Ch=13 brass	
25	140321462	Or 2018 in silicone	
26	129681502	TE screw incorp. Washerm5x22 ZNP	
27	222890353	Up. Boil cas. 3 T.+Th/fuse 12s.M5	240 V
	222890358	Up. Boil cas. 3 T.+Th/fuse 12s.M5	230 V
	222890355	Up. Boil cas. 3 T.+Th/fuse 12s.M5	120 V
28	140321262	Or 177 in silicone	
29	222900200	Lo. Boil. Casing 12 sided turned	
30	145840561	Seal for filterh.	
31	220290500	Filterhold retain. Ring holes d=5,	
32	123160502	Nut M5 high UNI 5587-68 galvanized	
33	149450588	Silicone valve 65 sh boil. Sealing	

POS	CODE	DESCRIPTION	NOTE
34	126761518	Spring for boil. Valve	
35	123330120	Cap nut M5 UI 5721-69 cl5s	
36	129960320	Brass boil. Valve holding screw	
37	123740221	Percolator de =48,8 di =4,5	
38	129620221	Fixing screw percolator	
39	144650100	Suction filter	
40	149360200	Silicone tube 5x8 70sr in roll	
41	147920550	90 Deg connector in nbr black	
42	129764520	Tc screw M4x6 UNI 6107 brass	
43	226830200	Retain. Spring 3 the +thermal fuse	
44	%9991.100	Pump support po 01 4007012	
45	189421600	Thermostat 92° C	
46	%9070.037.00A	Pump po 01	230V
	187690451	Pump po	120V
47	129723002	Te screw m5x27 UNI 5739 ZNP	
48	128310504	Washer UNI 8842 A5 burn.	
49	186400100	Bent tongue .6,3 D=5,3 0010621000	
50	189427500	Thermostat 170Ø1nt-08l-1975	
51	140321462	Or 2018 in silicone	
52	129310720	Int. Brass tube l=60 mm brass boi	
53	127910820	"90 Deg fitting l=34,5 l=171/8"ga	
54	289200700	Thermal. Protect.120°C cable2/2	
55	148050150	Black plas. Rivet	
56	%NM03.018	Or 2025 in nbr	
57	%9071.075	Plastic bicone for tube d.6	
58	%9071.071	Ring nut for tube d.6	
59	%9071.072	90 Degree connector pump po 01	
60	149400100	Teflon tube 4x6 in roll	
61	121840120	Inner tube bush (de4xdi3x10)	
62	123460120	"Brass nut 1/8"gas for ogive bush	
63	121800420	Ogive bush 6 de=8,4 di =6,2 l=7	
	282052352	Bra.Boil.As.220V (3t+/t/ter-tac.315)	
	282052355	Bra.Boil.As.120V (3t+/t/ter-tac.315)	



Saeco® SIN 006 INOX BOILER



Cod. 7 1 41 09 - 10
7 1 41 15

POS	CODE	DESCRIPTION	NOTE	POS	CODE	DESCRIPTION	NOTE
01	147710350	Black knob faucet shaft a100/a110		36	149360200	Silicone tube 5x8 70sr in roll	
02	120460204	Rapid connector d=10,6 h=5 sp=1		37	147920150	90 D. Conn. In santoprene neutral	
03	123451900	Square nut m4 ch=8 h=2.5 ZNP		38	123452000	Nut m 12 x1,25 h= 4,5	
04	125580104	Stei screw m4x8 UNI 5929 burnished		39	128311204	Washer UNI 8842 a12 burn.	
05	142200350	Cam for faucet shaft		40	126836321	3 Th .Fix. Spring earth symbol. St	
06	120640620	Faucet shaft m/m 57		41	189422000	Thermostat 95ø1nt-011-0036	
07	140321461	Or 2018 in epdm		42	189425100	Thermostat 127ø1nt-011-0499	
08	128870420	Brass piston w/o groove l=21		43	189428200	Thermostat 175ø1nt-081-3794	
09	145842664	Teflon seal d=6 for piston		44	122902121	Up. Boil. Cas. + Brackets w/o vapi	
10	128452403	Brass/ nick faucet ssboil. A100-		45	140320762	Or 108 in silicone	
11	145840365	Seal for articula. Steam tube		46	127960903	Stra. Fitt. Brass/nick for ss boil	
12	148620100	Up. Semisphere seal		47	188150358	Heat element 230v-900w for ss boil	
13	129372108	Chr. Steam tube as w/sph-w/o noz		48	129960820	Br. Valve hold screw ss jacobs	
14	148620200	Lo. Semisphere seal		49	%9991.100	Pump support po 01 4007012	
15	123450308	Chro.Lock. Nut h=21 stea. Tu.+Sphe		50	%9070.037.00A	Pump po 01 230v	
16	126310200	Crouzet lever 161 f 70507528		51	289200700	Thermal. Protect.120Ø cable.112/2	
17	129513203	Screw tcb 2,9x15,9 din 7981 nick		52	148050150	Black plas. Rivet	
18	186701500	Microsw.83161.1 lw3 ul/csa 8316116		53	145841500	Filterhold seal	
19	182580100	Insu. Card for micro (37,5x25)		54	123741421	Perc. De =48,8 ss boil. Jacobs	
20	129180802	Micro support pla.		55	129854021	Tsp screw m4x8 UNI 7688 ss	
21	128310404	Washer UNI 8842 a4 burnished		56	220290300	Filterhold retain. Ring polished	
22	129823802	Tcb screw m4x8 UNI 7687 ZNP		57	123330120	Cap nut m5 UNI 5721-69 cl5s	
23	129680802	Te screw incorp.Washerm5x20 ZNP		58	%NM03.018	Or 2025 in nbr	
24	123390420	Nut 1/8 gas h=4.5 Ch=13 brass		59	%9071.075	Plastic bicone for tube d.6	
25	227910200	90 Deg conn. Nickel pla.D for ss b		60	%9071.071	Ring nut for tube d.6	
26	140323062	Or 2043 in silicone		61	%9071.072	90 Degree connector pump po 01	
27	140322262	Or 2050 in silicone		62	149400100	Teflon tube 4x6 in roll	
28	123390109	Nut 1/8 gas		63	121840120	Inner tube bush (de4xdi3x10)	
29	140322962	Or 176 in silicone		64	123460120	"Brass nut 1/8" gas for ogive bush	
30	129310920	Internal tube brass/nickss boil.		65	121800420	Ogive bush 6 (de=8,4 di =6,2 l=7)	
31	222891400	Lo. Boil. Casing ss + hub brass/ni					
32	123160502	Nut m5 high UNI 5587-68 galvanized					
33	149450588	Silicone valve 65 sh boil. Sealing					
34	126761518	Spring for boil. Valve					
35	144650100	Suction filter					