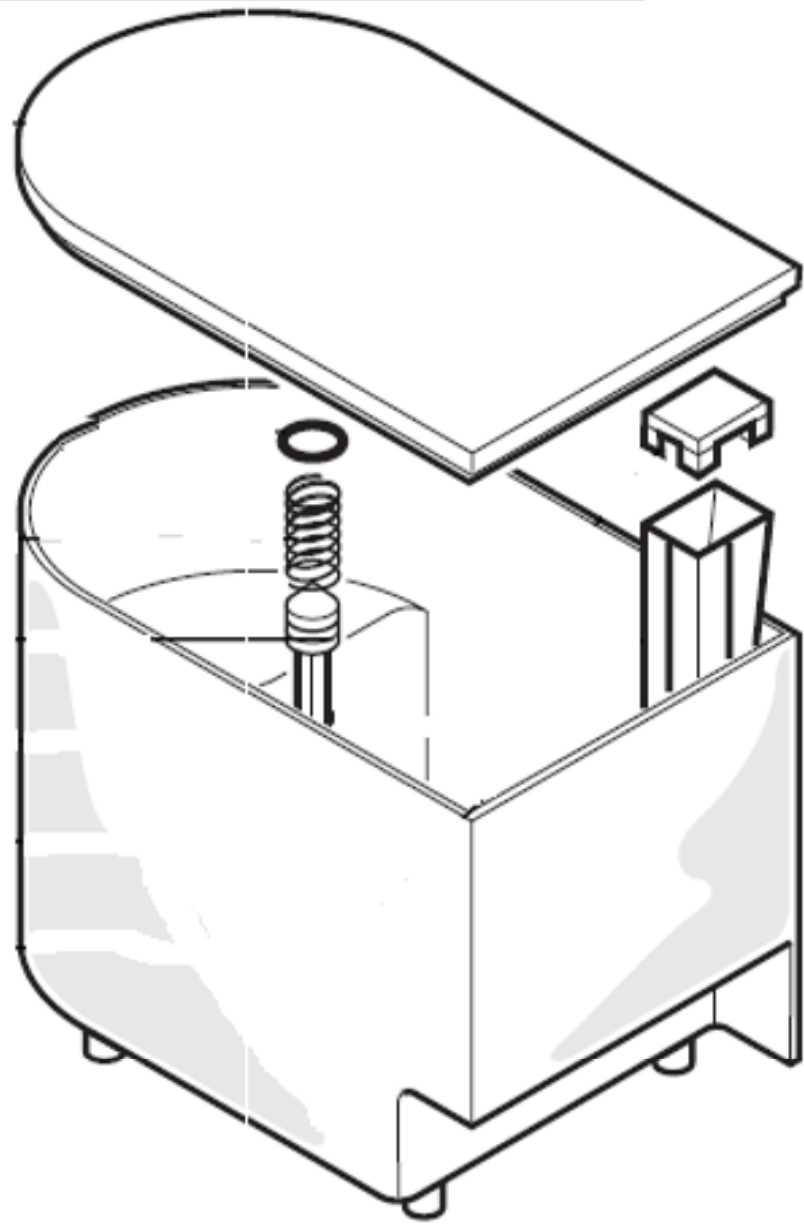


- 35
- 36
- 37
- 38
- 39



The circular plastic ring (#35) is pushed in with two flexible pins. Using a flat screw driver insert the blade in the space around #35 and lift the plastic ring it up from two opposite ends.

As the ring is removed, the black gasket (#36) will be seen wedged in the round groove in the upper side of (#38), with flat side up.

Remove the old gasket and seat the new gasket in the groove. Press it around to seat well.

Replace the plastic ring cover and press it firmly to seat it well.

Do not unscrew #37 or try to replace O-ring #39.00 .

Services Unlimited, Inc.