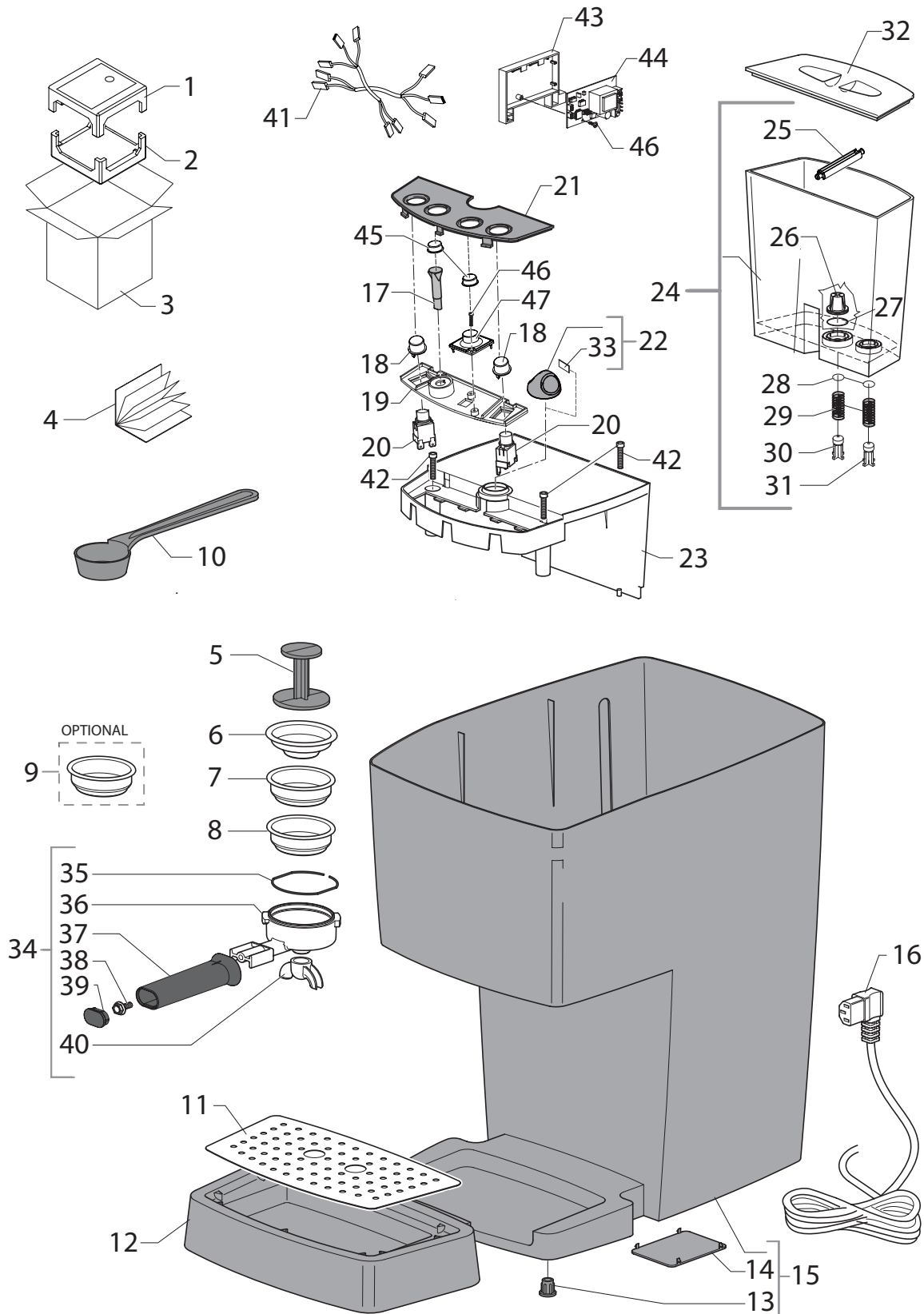


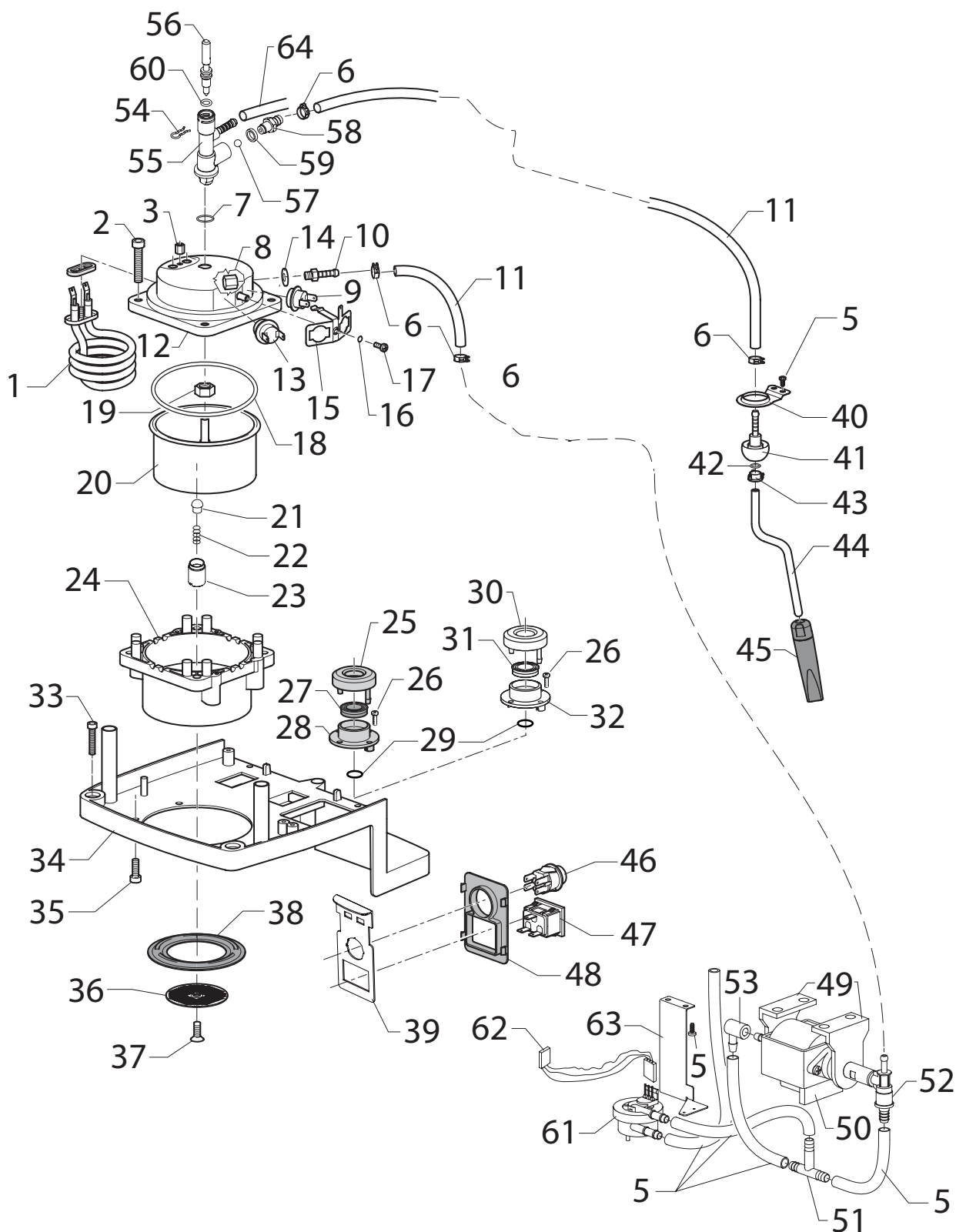
TAV. 1 - Ed. 00 CARROZZERIA



TAV. 1 - Ed. 00 CARROZZERIA

Pos.	Part N°	Descrizione particolare (ITA)	Description of Parts (ENG)
01	4337026000	IMBALLO INTERNO SUPER.	UPPER INSIDE PACKAGE
02	4337027000	IMBALLO INTERNO INFER.	UPPER EXTERNAL PACKAGE
03	4337032000	SCATOLA IMB. NEW ESPR.06 DOSE	PACKAGE BOX - NEW ESPR.06 AUTOMATIC
04	4337035000	LIBRETTO ISTRUZ. NEW ESPR.06 DOSE	INSTRUCTIONS NEW ESPRESSO 06 AUTOM.
05	WGA2PR/1	PRESSINO	SEPARATOR
06	NF08/002	FILTRO A 1 TAZZA 5.5/6.5 GR.	1-CUP FILTER 5.5/6.5 GR.
07	NF08/005	FILTRO A 2 TAZZE 12-14 GR.	TWO CUPS FILTER 12/14 GR.
08	11005535	FILTRO X CIALDA	FILTER FOR POD
09	11007038	FILTRO CREMA PERFETTA D.0,6 MM.	PERFECT CREMA FILTER D.0,6 MM.
10	WGADM1017	MISURINO 7 GR.	MEASURE
11	4337004000	GRIGLIA	GRID
12	6337007000	BACINELLA ARG.P8002C	TRAY - SILVER P8002C
13	WGAFG0245	PIEDINO	FOOT
14	11005482	TAPPO PER FONDO CORPO CARROZZERIA	CAP FOR BOTTOM BODYWORK
15	6337006000	CORPO CARR.C/PIED.ESPR.DOSE ARG.P8002C	BODY ESPRESSO DOSE - SILVER P8002C
16	CF0292/SCH	CAVO ALIMENTAZIONE 3X1 SCHUKO	SCHUKO POWER CORD
	CF0292/GBX	CAVO ALIMENTAZIONE 3X1 INGHILT	ENGLISH POWER CORD
	CF0292/CHX	CAVO ALIMENTAZIONE 3X1 SVIZZER	SWITZERLAND POWER CORD
	CF0292/AUS	CAVO ALIMENTAZIONE 3X1 AUSTRAL	AUSTRALIAN POWER CORD
	11005633	CAVO ALIM.USA SJT 3X18AWG NERO L=1200MM	BLACK POWER CABLE USA SJT 3X18AWG L=1200MM
17	5337001000	SEGNAL. LUMINOSO 33.2C C/LED VERDE	LIGHT 33.2C W/GREEN LED
18	6337018000	TASTO INTER. ARG.P8002C	SWITCH BUTTON - SILVER P8002C
19	4337020000	SUPPORTO TASTI DOSE	KEYS SUPPORT - AUTOMATIC
20	5337002000	INTERR. UNIPOLARE	UNIPOLAR SWITCH
21	8337010000	ASS. COPERCHIO TASTIERA DOSE BEIGE 160	KEYBOARD COVER ASS.-AUTOMATIC VERS.
22	8337005000	ASS. MANOPOLA VAPORE	STEAM KNOB ASSEMBLY
23	8337007000	ASS. COPERCHIO MACCH. BEIGE 160	MACHINE COVER ASSEMBLY BEIGE 160
24	11005142	ASS.SERBATOIO	TANK ASSEMBLY
25	4337012000	MANIGLIA SERBATOIO	TANK HANDLE
26	144650800	FILTRO X CONTENITORE ACQUA	WATER TANK FILTER
27	140328461	OR METRICO 0190-10 IN EPDM	EPDM OR METRIC 0190-10
28	140324362	OR METRICO 0060-30 IN SILICONE	OR METRIC 0060-30 IN SILICONE
29	126764718	MOLLA CILINDRICA X VALVOLA CONTEN.ACQUA	SPRING FOR WATER CONTAINER VALVE
30	147660562	PISTONCINO X VALVOLA CONTEN.ACQUA GRIGIO	GREY WATER VALVE CONTAINER PISTON
31	11007400	PISTONCINO X VALVOLA CONTEN.ACQUA NERO	BLACK WATER VALVE CONTAINER PISTON
32	4337010000	COPERCHIO SERBATOIO	TANK COVER
33	DM0814	MOLLETTA MANOPOLA TYMER	SPRING FOR KNOB
34	11006030	ASS.COPPA PORTAFILTRO (PLAST.)	FILTER BASKET (PLASTIC)
35	18G1514	MOLLA PER PORTAFILTRO	RETAINING - FILTER SPRING
36	6301002000	COPPA PORTAFILTRO	FILTER HOLDER CUP
37	4332037000	MANOPOLA PORTAFILTRO	KNOB FILTER HOLDER
38	WGADM1319	VITE A TESTA ESAG.CON FINTA ROND.ZIGR.	6X16 GALVAN. SPECIAL SCREW
39	4332038000	TAPPO MANOPOLA PORTAFILTRO	CAP KNOB FILTER HOLDER
40	4301006000	BECCUCCIO 2 VIE	2-WAY SPOUT
41	4337036000	AS.CABLAGGIO NEW ESPR.06 DOSE	WIRING NEW ESPR.06 DOSE ASSY.
	11008958	AS.CABLAGGIO NEW ESPR.06 DOSE UL	WIRING NEW ESPR.06 DOSE UL ASSY.
42	DI7981P4.2X16Z	VITE AF 4,2X16 ZINCATA X MAT.P	SELF TAPPING GALV. SCREWPLAST
43	4337015000	SUPPORTO SCHEDE ELETTR.ESPR.06 DOSE	ELECTRONIC BOARD SUPPORT ESPR.06 DOSE
	11009108	SUPPORTO SCHEDE ELETTR.ESPR.06 DOSE UL	ELECTRONIC BOARD SUPPORT ESPR.06 DOSE UL
44	4337038000	AS.CPU+SW NEW ESPR.06 DOSE 230V	CPU+SW AS.NEW ESPR.06 DOSE 230V
	11007802	AS.CPU+SW NEW ESPR.06 DOSE 115V	CPU+SW AS.NEW ESPR.06 DOSE 115V
45	11006742	TASTO PER SPIA ARG.P8002C	LIGHT KEY SILVER
46	DI7981P2.9X6.5Z	VITE AF 2,9X6,5 ZINCATA X MAT.	2,9X6,5 SELF TAPPING SCREWPLAS
47	11005117	ASS.TASTIERA CAFFE + SILICONE	ASSEMBLY KEYBOARD COFFEE + SILICON

TAV. 2 - Ed. 00 CALDAIA



TAV. 2 - Ed. 00 CALDAIA

Pos.	Part N°	Descrizione particolare (ITA)	Description of Parts (ENG)
01	11001002	RESISTENZA CALD.INOX NEWGEN 230V-1000W	HEAT ELEMENT SS.BOILER NEWGEN 230V-1000W
	11004509	RESISTENZA CALD.INOX NEWGEN 120V-1000W	HEAT ELEMENT SS.BOILER NEWGEN 120V-1000W
02	U023.022	VITE TCEI M6,0X30 UNI 5931 8.8 ZNP	SCREW TCEI M6,0X30 UNI 5931
03	11001465	DADO M4 CH6 H=7 X CALD.INOX NEWGEN OTT.	BRASS NUT FOR STAINL.STEEL NEWGEN BOILER
04	149361400	TUBO SILICONE 5X9 65SH TRASP.IN MATASSA	TRANSP.SILICONE TUBE 5X9 65SH IN ROLL
05	DI7981P3.5X9.5Z	VITE AF 3,5X9,5 ZINCATA X MAT.	SELF TAPPING GALV. SCREWPLAST
06	12000361	FASCETTA OETIKER D=9 16702491	OETIKER CLAMP D=9 16702491
07	140323062	OR 2043 IN SILICONE	OR 2043 IN SILICONE
08	11001000	SPRUZZATORE CALD.INOX NEWGEN OTTONE	BRASS NOZZLE SS.BOILER NEWGEN
09	12000160	TERMOSTATO 95° US-622AXTDNO	THERMOSTAT 95° US-622AXTDNO
10	11000998	RACC.RUB.TUBO VAP-CALD.INOX NEWGEN OTT.	BRASS FAUCET CONNECTOR SS BOILER NEWGEN
11	16000380	TUBO SIL.RETINATO 5X8,9 REHAU MATASSA	5X8,9 SILICONE TUBE IN ROLL
12	11001462	AS.CORPO SUP.CALD.INOX C/BOCCOLA NEWGEN	STAINL.STEEL UPPER BOILER CASING NEWGEN
13	12000161	TERMOSTATO 127° US-622AXTDNO	THERMOSTAT 127° US-622AXTDNO
14	140320662	OR 106 IN SILICONE	OR 106 IN SILICONE
15	11000994	MOLLA FERMA TERMOSTATI CALD.INOX NEWGEN	THERMOST.FIXER SPRING SS.BOILER NEWGEN
16	128310304	ROSETTA UNI 8842 A3 BRUNITA	WASHER UNI 8842 A3 BURNISHED
17	129821402	VITE TCB M3X4 UNI 7687 ZNP	TCB SCREW M3X4 UNI 7687 ZNP
18	12000087	OR METRICO 0850-30 IN SILICONE	OR METRIC 0850-30 IN SILICONE
19	123390109	DADO 1/8 GAS H=6 CH=14 OTTONE/NIKEL	TEA/BRASS NUT 1/8 GAS H=6 CH=14
20	11004588	AS.CORPO INF.CALD.INOX S/FOR.NEWGEN/BASE	SS.LOWER BOILER CASING NEWGEN/BASE ASSY.
21	EF0012	GUARNIZIONE PER VALVOLINA	SEAL FOR VALVE
22	EF0013	MOLLA PER VALVOLINA	SPRING FOR BOILER VALVE
23	11000996	VITE PORTAVALV.CALD.INOX NEWGEN/BASE OTT	BRASS VALVE HOLD SCREW SS.BOILER NEWGEN
24	11005079	AS.ANELLO PORT.CALD.NEWGEN ALL.LUC (230V)	FILTERH.RET. RING SS.BOILER NEWGEN (230V)
	11009073	AS.ANEL.PORT.CALD.NEWGEN LUC.SER.SIM.(120V)	FILTERH.RET.RING SS.BOILER NEWGEN S/S (120V)
25	0701.031.150	COPERTURA GUARNIZIONE GRIGIO	SEAL COVER GREY
26	129535721	VITE TSP 3,5X9,5 DIN 7982 INOX	SCREW TSP3,5X9,5 DIN 7982 SS
27	145842900	GUARNIZ.GACO DIM 14 X VALV.CONTEN.ACQUA	WATER CONTAIN.VALVE SEAL GACO DIM14
28	0701.014.150	CONTENITORE GUARNIZIONE GRIGIO	SEAL CONTAINER GREY
29	140320461	OR METRICO 0080-20 IN TERMOIL	OR METRICO 0080-20 IN TERMOIL
30	11007402	COPERTURA GUARNIZIONE NERO	BLACK SEAL COVER
31	11007403	GUARN.GACO DIM14 X VALV.CONT.ACQ.SILIC.	WATER CONTAIN.VALVE SEAL GACO DIM14
32	11007401	CONTENITORE GUARNIZIONE NERO	BLACK SEAL CONTAINER
33	DI7981P4.2X16Z	VITE AF 4,2X16 ZINCATA X MAT.P	SELF TAPPING GALV. SCREWPLAST
34	4337008000	PIASTRA COMPONENTI	COMPONENTS PLATE
35	UN5931-5X12I	VITE M 5X12 INOX	5X12 S.S. SCREW
36	11001471	DOCCIA DE=49,5 X CALD.INOX NEWGEN	PERCOLATOR DE =49,5 SS BOILER NEWGEN
37	DI7987-5X8I	VITE TSP M5X8 UNI 7688 DIN 965 INOX	SCREW TSP M5X8 UNI 7688 DIN 965 INOX
38	11004543	GUARN.PORTAFILT.CALD.INOX NEWGEN/BASE	FILTERHOLD.SEAL SS.BOILER NEWGEN/BASE
39	4337005000	SQUADR. SUPP. ALIMEN.	POWER SUPPORT BRACKET
40	4332055000	SQUADRETTA X RACCORDO SFERICO	SUPPORT FOR SPHERAL UNION
41	4332049000	RACCORDO SFERICO GRIVORY	UNION SPHERAL GRIVORY
42	DM0041/088	GUARNIZIONE OR 2025 EPDM 70°SH	O-RING GASKET 2025 EPDM
43	4332050000	INNESTO X RACCORDO SFERICO	COUPLING FOR SPHERIC UNION
44	AM0011/01	TUBO VAPORE INFERIORE CROMATO	TUBE STEAM LOWER CHROMATE
45	8301006000	ASS.PANNARELLO	FROTHER SET
46	5332004000	INTER.BIPOL.ON-OFF 122C1N2X001	ON-OFF BIPOL.SWITCH 122C1N2X001

TAV. 2 - Ed. 00 CALDAIA

Pos.	Part N°	Descrizione particolare (ITA)	Description of Parts (ENG)
47	DM1563/GW NE13.013	SPINA AUTOBLOC.TRIPOL. (230V) PRESA A VASCH. S/SMUSSI EN 60320 C 13 (120V)	PLUG SELF-LOCKING THREE-POLE (230V) CUP SOCKET EN 60320 C 13 (120V)
48	11005143	MASCHERINA PRESA ALIMEN. ARG.P8002C	POWER INPUT MASK SILVER P8002C
49	WGADY0003	SUPPORTO POMPA ULKA	PUMP SUPPORT ULKA
50	12000140	POMPA ULKA EP5/S GW 230V-50HZ	ULKA PUMP EP5/S GW 230V-50HZ
	12000142	POMPA ULKA EAP5/S 120V-60HZ	ULKA PUMP EAP5/S 120V-60HZ
51	147920300	RACCORDO T D=8 ART.80.26.047 KA.461	TEE CONNECTOR D=8 ART.80.26.047 KA
52	11001007	AS.VALVOLA X CALDAIA INOX NEWGEN NERA	BLACK VALVE SS.NEWGEN BOILER ASSY.
53	DM1596	RACCORDO ASPIRAZIONE POMPA ULK	INLET FITTING
54	9011.144	FORCELLA X TUBO D.4	FORK FOR TUBE D.4
55	11007270	CORPO RUBINETTO C/VALVOLA AUTOADESC.	COCK BODY
56	11001003	ASTA RUBINETTO CALD.INOX NEWGEN OTTONE	BRASS FAUCET SHAFT SS.BOILER NEWGEN
57	WGAEF0061	SFERA D=5 VITON 85SH NERO	BLACK VITON 85SH SPHERE D=5
58	EF0099	RACCORDO SCARICO VALVOLA AUTOA	SELF-PRIMING VALVE DISCHRG.FITTING
59	EF0111	GUARNIZIONE IN TEFLON	GASKET IN TEFLON
60	WGADM0041/031	OR 2018 IN VITON 70 SH	OR 2018 IN VITON 70SH
61	NV99.099	AS.TURBINA D=1,2 932-8521/00	TURBINE D=1,2 932-8521/00 ASSY.
62	8332009000	AS.CONNET.3 POLI TURBINA NEW ESPR.06	CONNECTOR FOR TURBINE NEW ESPR.06
	11009100	AS.CONNET.3 POLI TURBINA NEW ESPR.06 UL	CONNECTOR FOR TURBINE NEW ESPR.06 UL
63	4332090000	SQUADRETTA SUPPORTO TURBINA	SUPPORT TURBINE
64	PA1062	TUBO SL-TR 5X9X350 ASPI.	PUMP SUCTION PIPE